
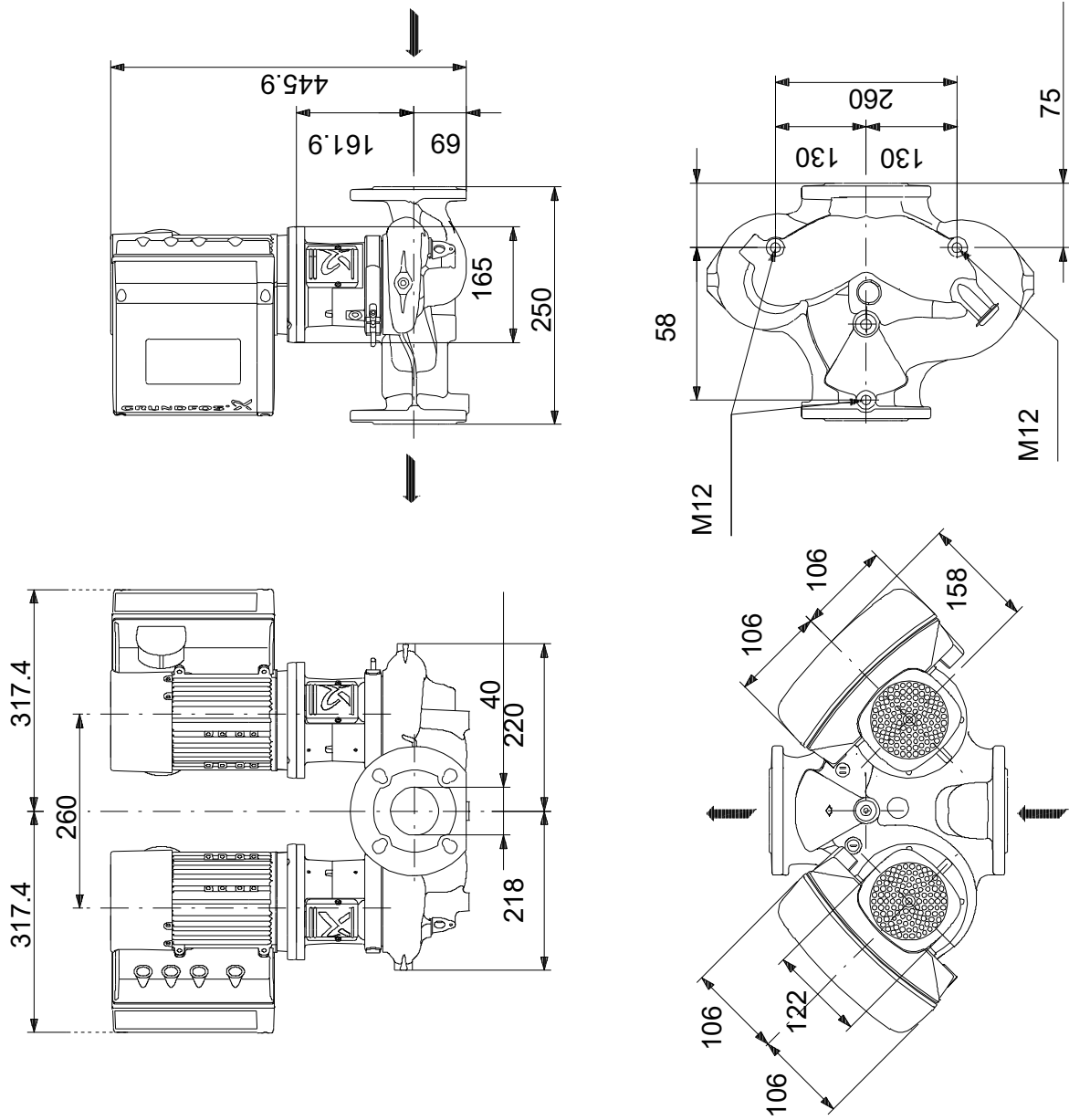


Qty.	Description																																																
1	<p data-bbox="199 159 606 190"><b>TPE3 D 40-150 S-A-F-A-BQQE-EAB</b></p>  <p data-bbox="590 504 1061 526"><b>Note! Product picture may differ from actual product</b></p> <p data-bbox="199 537 478 571">Product No.: On request</p> <p data-bbox="199 593 1460 649">Single-stage, close-coupled, volute twin-head pump with in-line suction and discharge ports of identical diameter. The twin-head pump is designed with two parallel power-heads.</p> <p data-bbox="199 660 1404 705">The pump is of the top-pull-out design, i.e. the power head (motor, pump head and impeller) can be removed for maintenance or service while the pump housing remains in the pipework.</p> <p data-bbox="199 716 909 750">Each power head is fitted with an unbalanced rubber bellows seal.</p> <p data-bbox="199 750 1380 795">The shaft seal is according to EN 12756. Pipework connection is via PN 6/10 DIN flanges (EN 1092-2 and ISO 7005-2).</p> <p data-bbox="199 795 1388 851">Each power head is fitted with a fan-cooled, permanent-magnet synchronous motor of identical size. The motor efficiency is classified as IE5 in accordance with IEC 60034-30-2.</p> <p data-bbox="199 862 1396 907">The motor includes a frequency converter and PI controller in the motor terminal box. This enables continuously variable control of the motor speed, which again enables adaptation of the performance to a given requirement.</p> <p data-bbox="199 918 1069 952">The pump is fitted with a combined temperature- and differential pressure sensor.</p> <p data-bbox="199 974 303 1008"><b>Controls:</b></p> <table data-bbox="199 1008 638 1041"> <tr> <td>Frequency converter:</td> <td>Built-in</td> </tr> </table> <p data-bbox="199 1064 279 1097"><b>Liquid:</b></p> <table data-bbox="199 1097 702 1220"> <tr> <td>Pumped liquid:</td> <td>Water</td> </tr> <tr> <td>Liquid temperature range:</td> <td>-25 .. 120 °C</td> </tr> <tr> <td>Selected liquid temperature:</td> <td>20 °C</td> </tr> <tr> <td>Density:</td> <td>998.2 kg/m<sup>3</sup></td> </tr> </table> <p data-bbox="199 1243 319 1276"><b>Technical:</b></p> <table data-bbox="199 1276 821 1456"> <tr> <td>Pump speed on which pump data are based:</td> <td>3900 rpm</td> </tr> <tr> <td>Rated flow:</td> <td>14.4 m<sup>3</sup>/h</td> </tr> <tr> <td>Rated head:</td> <td>10 m</td> </tr> <tr> <td>Actual impeller diameter:</td> <td>74 mm</td> </tr> <tr> <td>Code for shaft seal:</td> <td>BQQE</td> </tr> <tr> <td>Curve tolerance:</td> <td>ISO9906:2012 3B2</td> </tr> </table> <p data-bbox="199 1478 311 1512"><b>Materials:</b></p> <table data-bbox="199 1512 734 1668"> <tr> <td>Pump housing:</td> <td>Cast iron EN-GJL-250 ASTM class 35</td> </tr> <tr> <td>Impeller:</td> <td>Composite PES+30% GF</td> </tr> </table> <p data-bbox="199 1691 327 1724"><b>Installation:</b></p> <table data-bbox="199 1724 734 1960"> <tr> <td>Range of ambient temperature:</td> <td>-20 .. 50 °C</td> </tr> <tr> <td>Maximum operating pressure:</td> <td>10 bar</td> </tr> <tr> <td>Max pressure at stated temp:</td> <td>10 bar / 120 °C</td> </tr> <tr> <td>Type of connection:</td> <td>DIN</td> </tr> <tr> <td>Size of connection:</td> <td>DN 40</td> </tr> <tr> <td>Pressure rating for connection:</td> <td>PN 6/10</td> </tr> <tr> <td>Port-to-port length:</td> <td>250 mm</td> </tr> <tr> <td>Flange size for motor:</td> <td>56C</td> </tr> </table> <p data-bbox="199 1982 367 2016"><b>Electrical data:</b></p> <table data-bbox="199 2016 662 2116"> <tr> <td>Motor type:</td> <td>71A</td> </tr> <tr> <td>IE Efficiency class:</td> <td>IE5</td> </tr> <tr> <td>Rated power - P2:</td> <td>0.55 kW</td> </tr> </table>	Frequency converter:	Built-in	Pumped liquid:	Water	Liquid temperature range:	-25 .. 120 °C	Selected liquid temperature:	20 °C	Density:	998.2 kg/m <sup>3</sup>	Pump speed on which pump data are based:	3900 rpm	Rated flow:	14.4 m <sup>3</sup> /h	Rated head:	10 m	Actual impeller diameter:	74 mm	Code for shaft seal:	BQQE	Curve tolerance:	ISO9906:2012 3B2	Pump housing:	Cast iron EN-GJL-250 ASTM class 35	Impeller:	Composite PES+30% GF	Range of ambient temperature:	-20 .. 50 °C	Maximum operating pressure:	10 bar	Max pressure at stated temp:	10 bar / 120 °C	Type of connection:	DIN	Size of connection:	DN 40	Pressure rating for connection:	PN 6/10	Port-to-port length:	250 mm	Flange size for motor:	56C	Motor type:	71A	IE Efficiency class:	IE5	Rated power - P2:	0.55 kW
Frequency converter:	Built-in																																																
Pumped liquid:	Water																																																
Liquid temperature range:	-25 .. 120 °C																																																
Selected liquid temperature:	20 °C																																																
Density:	998.2 kg/m <sup>3</sup>																																																
Pump speed on which pump data are based:	3900 rpm																																																
Rated flow:	14.4 m <sup>3</sup> /h																																																
Rated head:	10 m																																																
Actual impeller diameter:	74 mm																																																
Code for shaft seal:	BQQE																																																
Curve tolerance:	ISO9906:2012 3B2																																																
Pump housing:	Cast iron EN-GJL-250 ASTM class 35																																																
Impeller:	Composite PES+30% GF																																																
Range of ambient temperature:	-20 .. 50 °C																																																
Maximum operating pressure:	10 bar																																																
Max pressure at stated temp:	10 bar / 120 °C																																																
Type of connection:	DIN																																																
Size of connection:	DN 40																																																
Pressure rating for connection:	PN 6/10																																																
Port-to-port length:	250 mm																																																
Flange size for motor:	56C																																																
Motor type:	71A																																																
IE Efficiency class:	IE5																																																
Rated power - P2:	0.55 kW																																																

Qty.	Description																																		
1	<table> <tr> <td>Mains frequency:</td> <td>50 Hz</td> </tr> <tr> <td>Rated voltage:</td> <td>1 x 200-240 V</td> </tr> <tr> <td>Rated current:</td> <td>3.45-2.90 A</td> </tr> <tr> <td>Cos phi - power factor:</td> <td>0.98</td> </tr> <tr> <td>Rated speed:</td> <td>360-4000 rpm</td> </tr> <tr> <td>Efficiency:</td> <td>85.3%</td> </tr> <tr> <td>Motor efficiency at full load:</td> <td>85.3 %</td> </tr> <tr> <td>Enclosure class (IEC 34-5):</td> <td>IP55</td> </tr> <tr> <td>Insulation class (IEC 85):</td> <td>F</td> </tr> <tr> <td>Motor No:</td> <td>99137985</td> </tr> <tr> <td colspan="2">Others:</td> </tr> <tr> <td>Minimum efficiency index, MEI ≥:</td> <td>0.70</td> </tr> <tr> <td>Net weight:</td> <td>45 kg</td> </tr> <tr> <td>Gross weight:</td> <td>58.3 kg</td> </tr> <tr> <td>Shipping volume:</td> <td>0.252 m<sup>3</sup></td> </tr> <tr> <td>Country of origin:</td> <td>HU</td> </tr> <tr> <td>Custom tariff no.:</td> <td>84137065</td> </tr> </table>	Mains frequency:	50 Hz	Rated voltage:	1 x 200-240 V	Rated current:	3.45-2.90 A	Cos phi - power factor:	0.98	Rated speed:	360-4000 rpm	Efficiency:	85.3%	Motor efficiency at full load:	85.3 %	Enclosure class (IEC 34-5):	IP55	Insulation class (IEC 85):	F	Motor No:	99137985	Others:		Minimum efficiency index, MEI ≥:	0.70	Net weight:	45 kg	Gross weight:	58.3 kg	Shipping volume:	0.252 m <sup>3</sup>	Country of origin:	HU	Custom tariff no.:	84137065
Mains frequency:	50 Hz																																		
Rated voltage:	1 x 200-240 V																																		
Rated current:	3.45-2.90 A																																		
Cos phi - power factor:	0.98																																		
Rated speed:	360-4000 rpm																																		
Efficiency:	85.3%																																		
Motor efficiency at full load:	85.3 %																																		
Enclosure class (IEC 34-5):	IP55																																		
Insulation class (IEC 85):	F																																		
Motor No:	99137985																																		
Others:																																			
Minimum efficiency index, MEI ≥:	0.70																																		
Net weight:	45 kg																																		
Gross weight:	58.3 kg																																		
Shipping volume:	0.252 m <sup>3</sup>																																		
Country of origin:	HU																																		
Custom tariff no.:	84137065																																		



# On request TPE3 D 40-150 S-A-F-A-BQQE-EAB 50 Hz



Note! All units are in [mm] unless others are stated.  
 Disclaimer: This simplified dimensional drawing does not show all details.

