
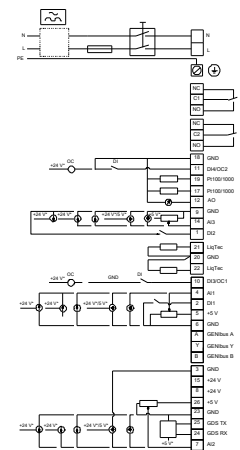
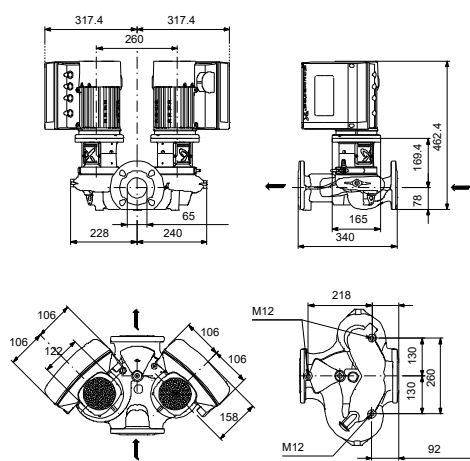
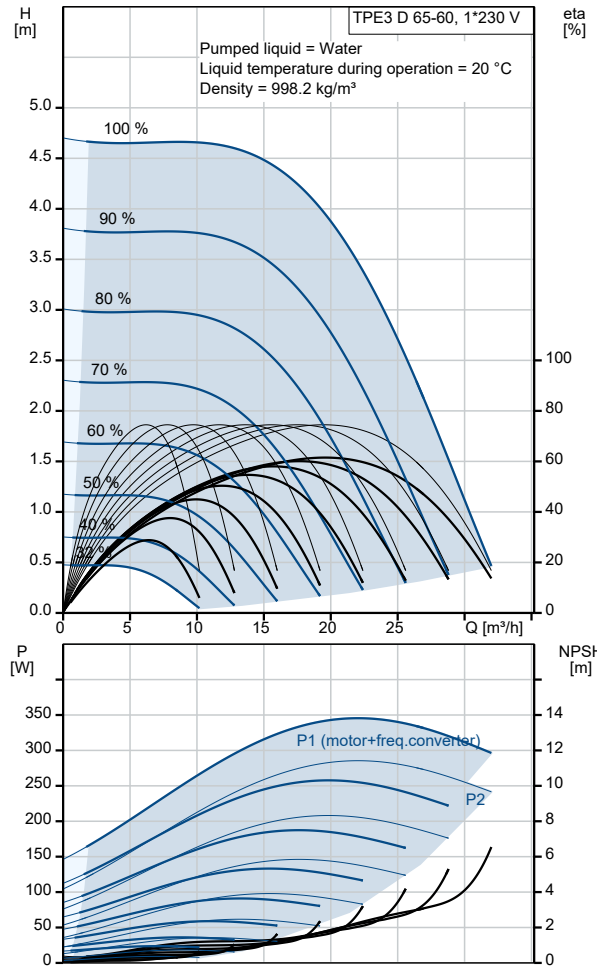


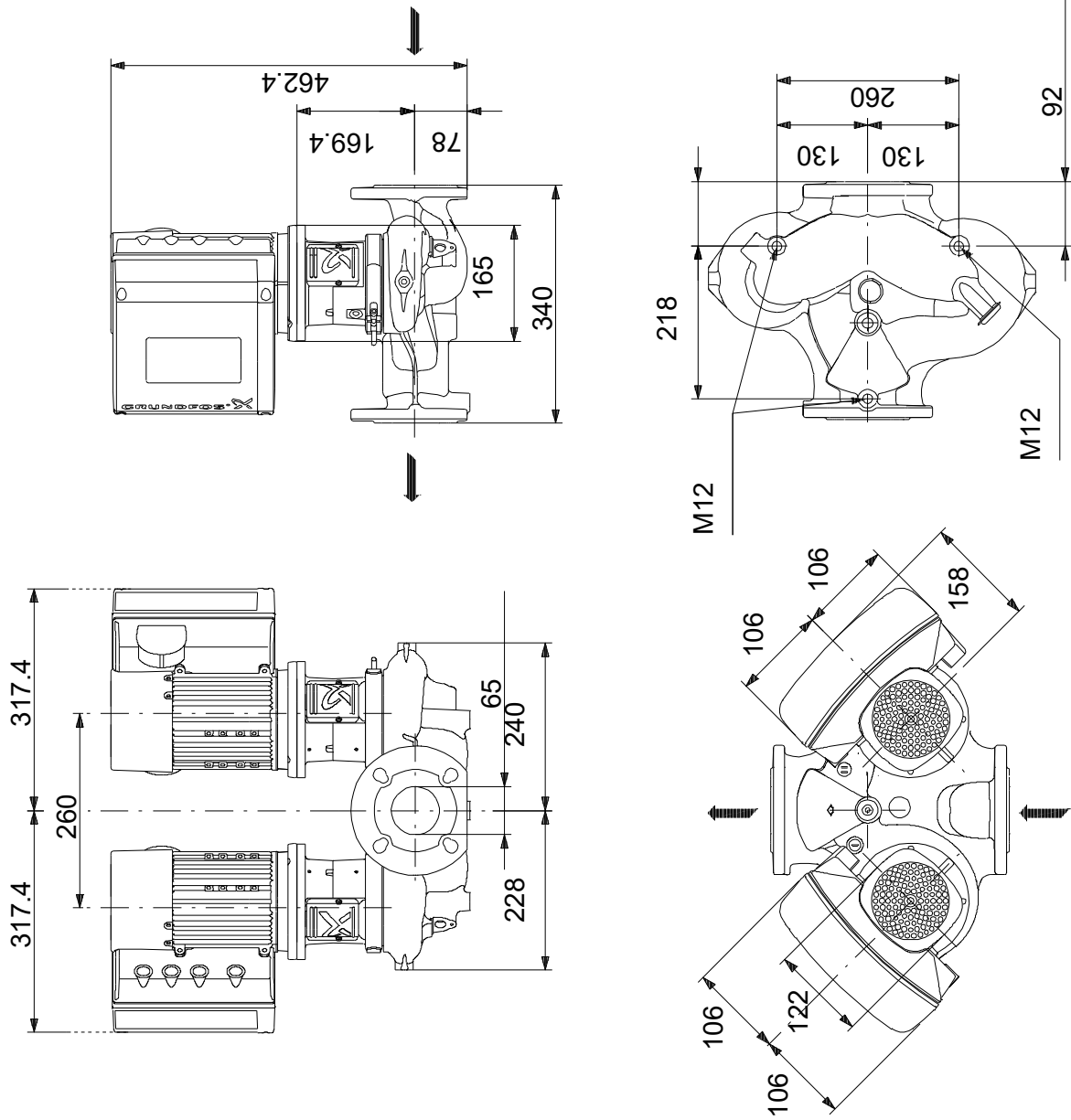
Qty.	Description
1	<p data-bbox="199 159 592 188">TPE3 D 65-60 S-A-F-A-BQQE-DAB</p>  <p data-bbox="592 506 1062 528">Note! Product picture may differ from actual product</p> <p data-bbox="199 539 478 562">Product No.: On request</p> <p data-bbox="199 600 1458 651">Single-stage, close-coupled, volute twin-head pump with in-line suction and discharge ports of identical diameter. The twin-head pump is designed with two parallel power-heads.</p> <p data-bbox="199 658 1398 710">The pump is of the top-pull-out design, i.e. the power head (motor, pump head and impeller) can be removed for maintenance or service while the pump housing remains in the pipework.</p> <p data-bbox="199 716 911 739">Each power head is fitted with an unbalanced rubber bellows seal.</p> <p data-bbox="199 745 1382 797">The shaft seal is according to EN 12756. Pipework connection is via PN 6/10 DIN flanges (EN 1092-2 and ISO 7005-2).</p> <p data-bbox="199 804 1390 855">Each power head is fitted with a fan-cooled, permanent-magnet synchronous motor of identical size. The motor efficiency is classified as IE5 in accordance with IEC 60034-30-2.</p> <p data-bbox="199 862 1398 913">The motor includes a frequency converter and PI controller in the motor terminal box. This enables continuously variable control of the motor speed, which again enables adaptation of the performance to a given requirement.</p> <p data-bbox="199 920 1070 943">The pump is fitted with a combined temperature- and differential pressure sensor.</p> <p data-bbox="199 981 300 1003">Controls:</p> <p data-bbox="199 1010 639 1032">Frequency converter: Built-in</p> <p data-bbox="199 1070 272 1093">Liquid:</p> <p data-bbox="199 1099 632 1122">Pumped liquid: Water</p> <p data-bbox="199 1128 703 1151">Liquid temperature range: -25 .. 120 °C</p> <p data-bbox="199 1158 632 1180">Selected liquid temperature: 20 °C</p> <p data-bbox="199 1187 695 1209">Density: 998.2 kg/m³</p> <p data-bbox="199 1247 312 1270">Technical:</p> <p data-bbox="199 1276 820 1299">Pump speed on which pump data are based: 2400 rpm</p> <p data-bbox="199 1305 671 1328">Rated flow: 18.7 m³/h</p> <p data-bbox="199 1335 632 1357">Rated head: 3.4 m</p> <p data-bbox="199 1364 639 1386">Actual impeller diameter: 78 mm</p> <p data-bbox="199 1393 632 1415">Code for shaft seal: BQQE</p> <p data-bbox="199 1422 775 1444">Curve tolerance: ISO9906:2012 3B2</p> <p data-bbox="199 1482 304 1505">Materials:</p> <p data-bbox="199 1512 727 1599">Pump housing: Cast iron EN-GJL-250 ASTM class 35</p> <p data-bbox="199 1606 719 1659">Impeller: Composite PES+30% GF</p> <p data-bbox="199 1697 320 1720">Installation:</p> <p data-bbox="199 1727 687 1749">Range of ambient temperature: -20 .. 50 °C</p> <p data-bbox="199 1756 632 1778">Maximum operating pressure: 10 bar</p> <p data-bbox="199 1785 727 1807">Max pressure at stated temp: 10 bar / 120 °C</p> <p data-bbox="199 1814 608 1836">Type of connection: DIN</p> <p data-bbox="199 1843 632 1865">Size of connection: DN 65</p> <p data-bbox="199 1872 655 1895">Pressure rating for connection: PN 6/10</p> <p data-bbox="199 1901 655 1924">Port-to-port length: 340 mm</p> <p data-bbox="199 1930 608 1953">Flange size for motor: 56C</p> <p data-bbox="199 1991 360 2013">Electrical data:</p> <p data-bbox="199 2020 608 2042">Motor type: 71A</p> <p data-bbox="199 2049 600 2072">IE Efficiency class: IE5</p> <p data-bbox="199 2078 655 2101">Rated power - P2: 0.37 kW</p>

Qty.	Description
1	<p>Mains frequency: 50 Hz Rated voltage: 1 x 200-240 V Rated current: 2.40-2.10 A Cos phi - power factor: 0.96 Rated speed: 360-4000 rpm Efficiency: 84.0% Motor efficiency at full load: 84.0 % Enclosure class (IEC 34-5): IP55 Insulation class (IEC 85): F Motor No: 99137984</p> <p>Others: Minimum efficiency index, MEI ≥: 0.70 Net weight: 51.5 kg Gross weight: 64.8 kg Shipping volume: 0.252 m³ Country of origin: HU Custom tariff no.: 84137065</p>

Description	Value
General information:	
Product name:	TPE3 D 65-60 S-A-F-A-BQQE-DAB
Product No:	On request
EAN number:	On request
Technical:	
Pump speed on which pump data are based:	2400 rpm
Rated flow:	18.7 m ³ /h
Rated head:	3.4 m
Maximum head:	60 dm
Actual impeller diameter:	78 mm
Code for shaft seal:	BQQE
Curve tolerance:	ISO9906:2012 3B2
Pump version:	A
Materials:	
Pump housing:	Cast iron
Pump housing:	EN-GJL-250
Pump housing:	ASTM class 35
Impeller:	Composite
Impeller:	PES+30% GF
Material code:	A
Installation:	
Range of ambient temperature:	-20 .. 50 °C
Maximum operating pressure:	10 bar
Max pressure at stated temp:	10 bar / 120 °C
Type of connection:	DIN
Size of connection:	DN 65
Pressure rating for connection:	PN 6/10
Port-to-port length:	340 mm
Flange size for motor:	56C
Connect code:	F
Liquid:	
Pumped liquid:	Water
Liquid temperature range:	-25 .. 120 °C
Selected liquid temperature:	20 °C
Density:	998.2 kg/m ³
Electrical data:	
Motor type:	71A
IE Efficiency class:	IE5
Rated power - P2:	0.37 kW
Mains frequency:	50 Hz
Rated voltage:	1 x 200-240 V
Rated current:	2.40-2.10 A
Cos phi - power factor:	0.96
Rated speed:	360-4000 rpm
Efficiency:	84.0%
Motor efficiency at full load:	84.0 %
Enclosure class (IEC 34-5):	IP55
Insulation class (IEC 85):	F
Built-in motor protection:	ELEC
Motor No:	99137984
Controls:	
Control panel:	HMI300 - Graphical
Function Module:	FM300 - Advanced
Frequency converter:	Built-in
Others:	
Minimum efficiency index, MEI ≥:	0.70
Net weight:	51.5 kg
Gross weight:	64.8 kg
Shipping volume:	0.252 m ³
Config. file no:	98481466
Country of origin:	HU
Custom tariff no.:	84137065



On request TPE3 D 65-60 S-A-F-A-BQQE-DAB 50 Hz



Note! All units are in [mm] unless others are stated.
 Disclaimer: This simplified dimensional drawing does not show all details.

