
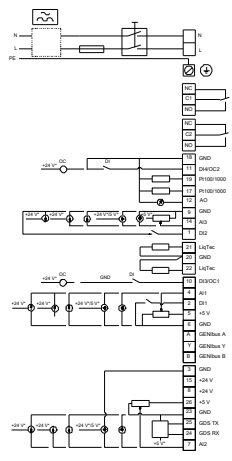
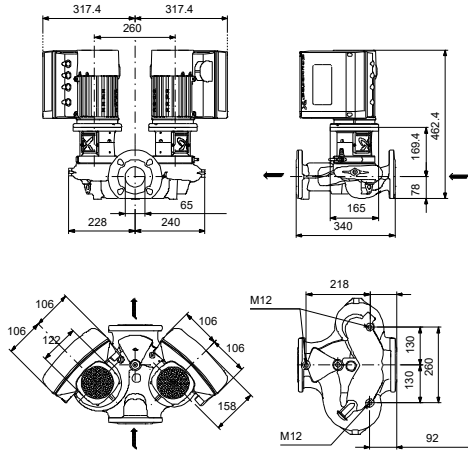
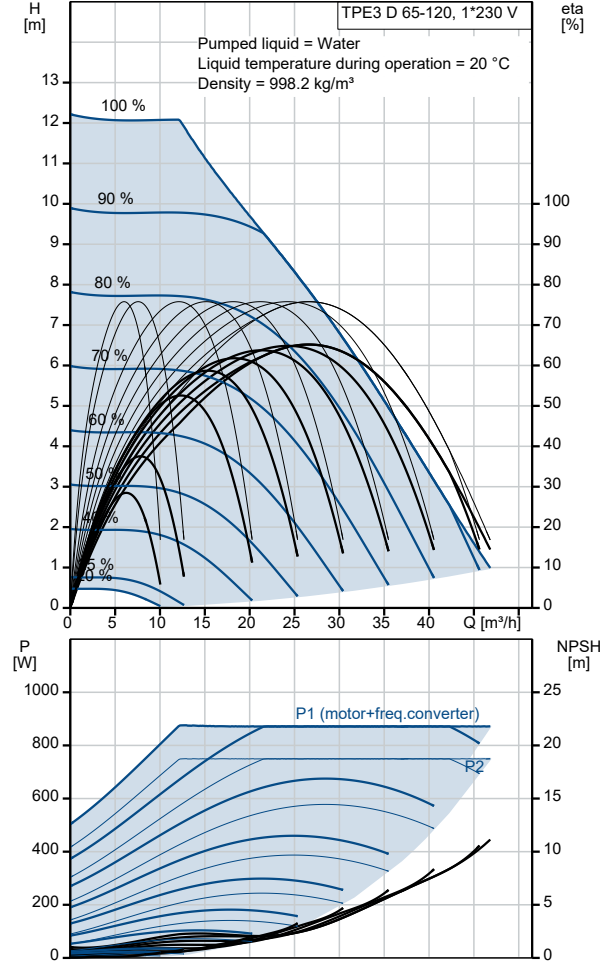


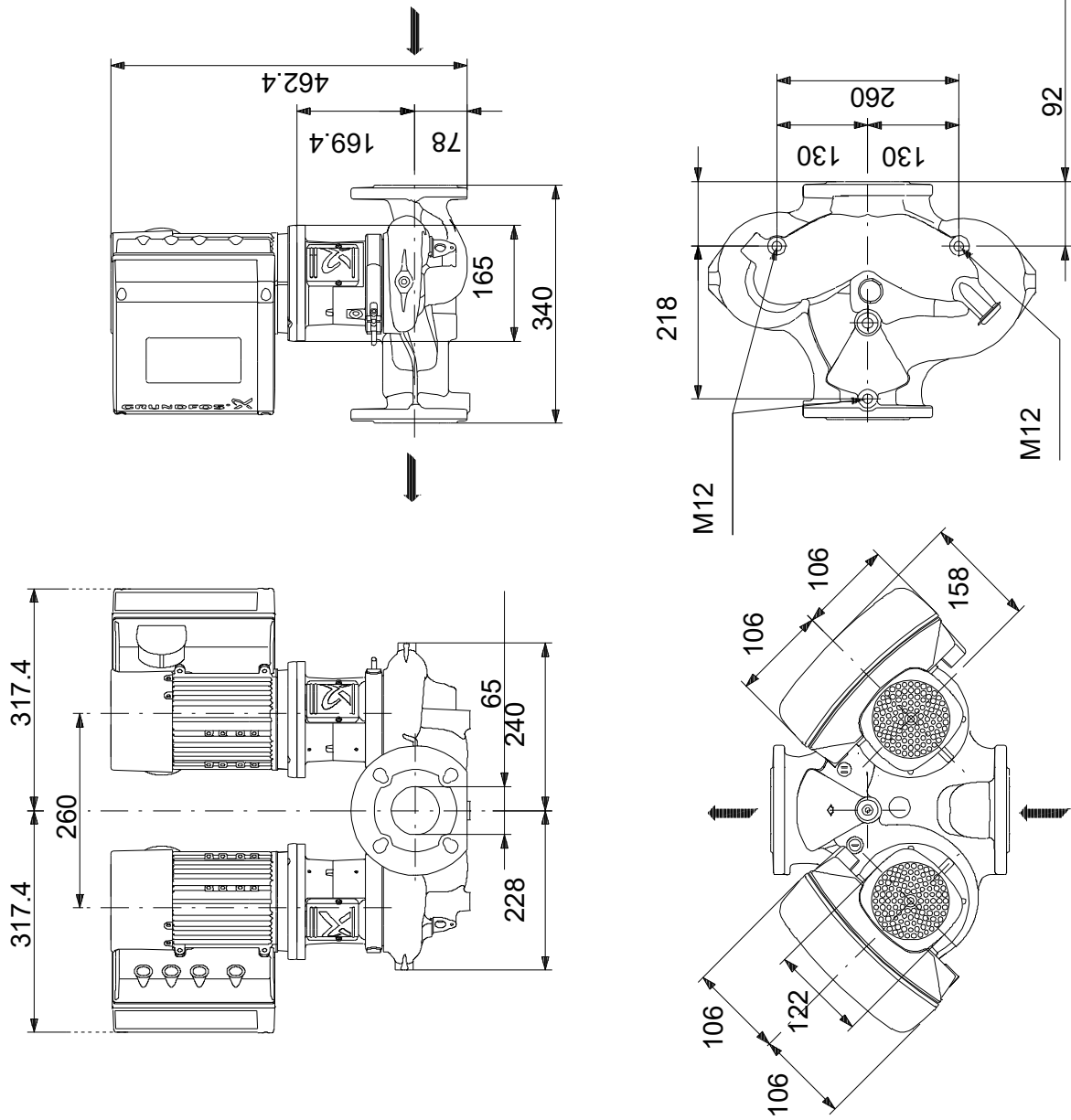
Qty.	Description
1	<p data-bbox="193 159 606 190">TPE3 D 65-120 S-A-F-A-BQQE-FAB</p>  <p data-bbox="590 504 1066 533">Note! Product picture may differ from actual product</p> <p data-bbox="193 537 478 566">Product No.: On request</p> <p data-bbox="193 600 1460 651">Single-stage, close-coupled, volute twin-head pump with in-line suction and discharge ports of identical diameter. The twin-head pump is designed with two parallel power-heads.</p> <p data-bbox="193 656 1401 707">The pump is of the top-pull-out design, i.e. the power head (motor, pump head and impeller) can be removed for maintenance or service while the pump housing remains in the pipework.</p> <p data-bbox="193 712 909 741">Each power head is fitted with an unbalanced rubber bellows seal.</p> <p data-bbox="193 745 1382 797">The shaft seal is according to EN 12756. Pipework connection is via PN 6/10 DIN flanges (EN 1092-2 and ISO 7005-2).</p> <p data-bbox="193 801 1390 853">Each power head is fitted with a fan-cooled, permanent-magnet synchronous motor of identical size. The motor efficiency is classified as IE5 in accordance with IEC 60034-30-2.</p> <p data-bbox="193 857 1398 909">The motor includes a frequency converter and PI controller in the motor terminal box. This enables continuously variable control of the motor speed, which again enables adaptation of the performance to a given requirement.</p> <p data-bbox="193 913 1072 943">The pump is fitted with a combined temperature- and differential pressure sensor.</p> <p data-bbox="193 976 303 1005">Controls:</p> <p data-bbox="193 1010 643 1039">Frequency converter: Built-in</p> <p data-bbox="193 1072 279 1102">Liquid:</p> <p data-bbox="193 1106 635 1135">Pumped liquid: Water</p> <p data-bbox="193 1140 703 1169">Liquid temperature range: -25 .. 120 °C</p> <p data-bbox="193 1173 630 1202">Selected liquid temperature: 20 °C</p> <p data-bbox="193 1207 699 1236">Density: 998.2 kg/m³</p> <p data-bbox="193 1270 316 1299">Technical:</p> <p data-bbox="193 1303 820 1332">Pump speed on which pump data are based: 3530 rpm</p> <p data-bbox="193 1337 671 1366">Rated flow: 27.5 m³/h</p> <p data-bbox="193 1370 630 1400">Rated head: 7.2 m</p> <p data-bbox="193 1404 643 1433">Actual impeller diameter: 78 mm</p> <p data-bbox="193 1438 638 1467">Code for shaft seal: BQQE</p> <p data-bbox="193 1471 774 1500">Curve tolerance: ISO9906:2012 3B2</p> <p data-bbox="193 1534 311 1563">Materials:</p> <p data-bbox="193 1568 730 1619">Pump housing: Cast iron EN-GJL-250 ASTM class 35</p> <p data-bbox="193 1624 718 1675">Impeller: Composite PES+30% GF</p> <p data-bbox="193 1709 327 1738">Installation:</p> <p data-bbox="193 1742 691 1771">Range of ambient temperature: -20 .. 50 °C</p> <p data-bbox="193 1776 638 1805">Maximum operating pressure: 10 bar</p> <p data-bbox="193 1809 730 1839">Max pressure at stated temp: 10 bar / 120 °C</p> <p data-bbox="193 1843 611 1872">Type of connection: DIN</p> <p data-bbox="193 1877 635 1906">Size of connection: DN 65</p> <p data-bbox="193 1910 655 1939">Pressure rating for connection: PN 6/10</p> <p data-bbox="193 1944 655 1973">Port-to-port length: 340 mm</p> <p data-bbox="193 1977 611 2007">Flange size for motor: 56C</p> <p data-bbox="193 2040 363 2069">Electrical data:</p> <p data-bbox="193 2074 611 2103">Motor type: 80A</p> <p data-bbox="193 2107 611 2136">IE Efficiency class: IE5</p> <p data-bbox="193 2141 655 2170">Rated power - P2: 0.75 kW</p>

Qty.	Description
1	<p>Mains frequency: 50 Hz Rated voltage: 1 x 200-240 V Rated current: 4.70-3.90 A Cos phi - power factor: 0.99 Rated speed: 360-4000 rpm Efficiency: 85.2% Motor efficiency at full load: 85.2 % Enclosure class (IEC 34-5): IP55 Insulation class (IEC 85): F Motor No: 99137986</p> <p>Others: Minimum efficiency index, MEI ≥: 0.70 Net weight: 51.5 kg Gross weight: 64.8 kg Shipping volume: 0.252 m³ Country of origin: HU Custom tariff no.: 84137065</p>

Description	Value
General information:	
Product name:	TPE3 D 65-120 S-A-F-A-BQQE-FAB
Product No:	On request
EAN number:	On request
Technical:	
Pump speed on which pump data are based:	3530 rpm
Rated flow:	27.5 m³/h
Rated head:	7.2 m
Maximum head:	120 dm
Actual impeller diameter:	78 mm
Code for shaft seal:	BQQE
Curve tolerance:	ISO9906:2012 3B2
Pump version:	A
Materials:	
Pump housing:	Cast iron
Pump housing:	EN-GJL-250
Pump housing:	ASTM class 35
Impeller:	Composite
Impeller:	PES+30% GF
Material code:	A
Installation:	
Range of ambient temperature:	-20 .. 50 °C
Maximum operating pressure:	10 bar
Max pressure at stated temp:	10 bar / 120 °C
Type of connection:	DIN
Size of connection:	DN 65
Pressure rating for connection:	PN 6/10
Port-to-port length:	340 mm
Flange size for motor:	56C
Connect code:	F
Liquid:	
Pumped liquid:	Water
Liquid temperature range:	-25 .. 120 °C
Selected liquid temperature:	20 °C
Density:	998.2 kg/m³
Electrical data:	
Motor type:	80A
IE Efficiency class:	IE5
Rated power - P2:	0.75 kW
Mains frequency:	50 Hz
Rated voltage:	1 x 200-240 V
Rated current:	4.70-3.90 A
Cos phi - power factor:	0.99
Rated speed:	360-4000 rpm
Efficiency:	85.2%
Motor efficiency at full load:	85.2 %
Enclosure class (IEC 34-5):	IP55
Insulation class (IEC 85):	F
Built-in motor protection:	ELEC
Motor No:	99137986
Controls:	
Control panel:	HMI300 - Graphical
Function Module:	FM300 - Advanced
Frequency converter:	Built-in
Others:	
Minimum efficiency index, MEI ≥:	0.70
Net weight:	51.5 kg
Gross weight:	64.8 kg
Shipping volume:	0.252 m³
Config. file no:	98481468
Country of origin:	HU
Custom tariff no.:	84137065



On request TPE3 D 65-120 S-A-F-A-BQQE-FAB 50 Hz



Note! All units are in [mm] unless others are stated.
 Disclaimer: This simplified dimensional drawing does not show all details.

Order Data:

Position	Your pos.	Product name	Amount	Product No	Total
		TPE3 D 65-120	1	On request	Price on request