

Qty.	Description
------	-------------

1	ALPHA1 15-50 N 130
---	--------------------



Note! Product picture may differ from actual product

Product No.: On request

Grundfos ALPHA1 high-efficiency circulator pumps are designed for circulating liquids in heating systems. The stainless-steel variant of ALPHA1 is suitable for e.g. domestic hot-water systems. With an energy efficiency index (EEI) at the ErP benchmark for most efficient pumps, it contributes to energy savings.

The pump can operate in proportional-pressure, constant-pressure and constant-curve mode. The control mode is selected using the button on the display. The LEDs indicate the operating status, actual power consumption in watt as well as warnings and alarms.

The design and chosen materials of the pump contribute to long life.

The pump is self-venting through the system, which contributes to easy commissioning.

The compact design, featuring a pump head with an integrated control box, fits into most common installations.

The pump and motor form an integral unit without a shaft seal.

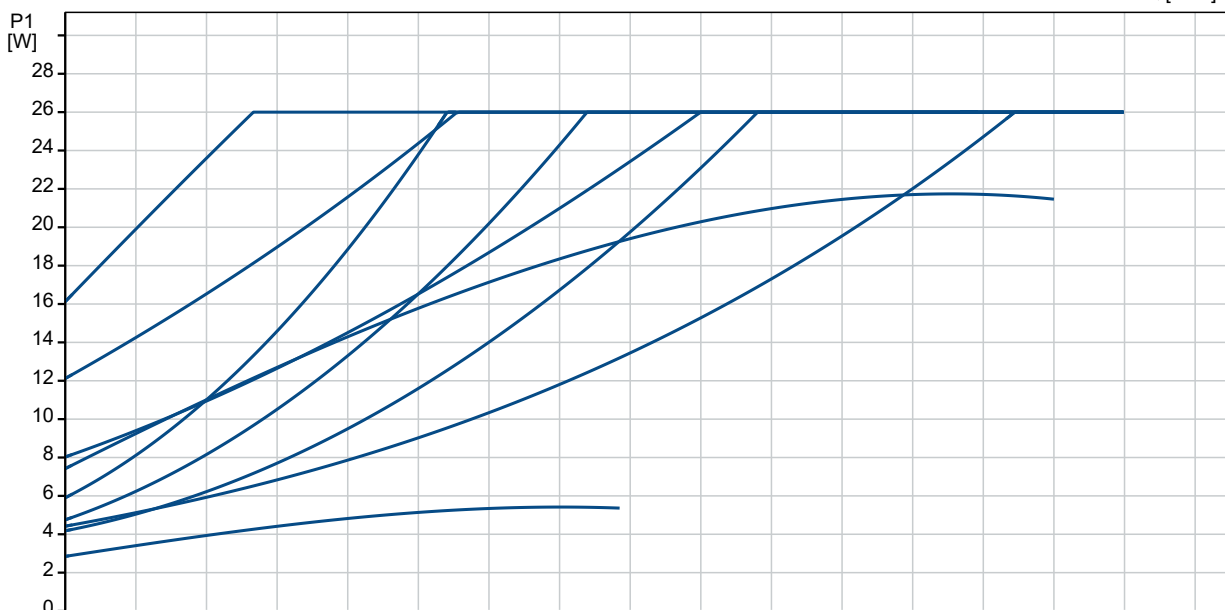
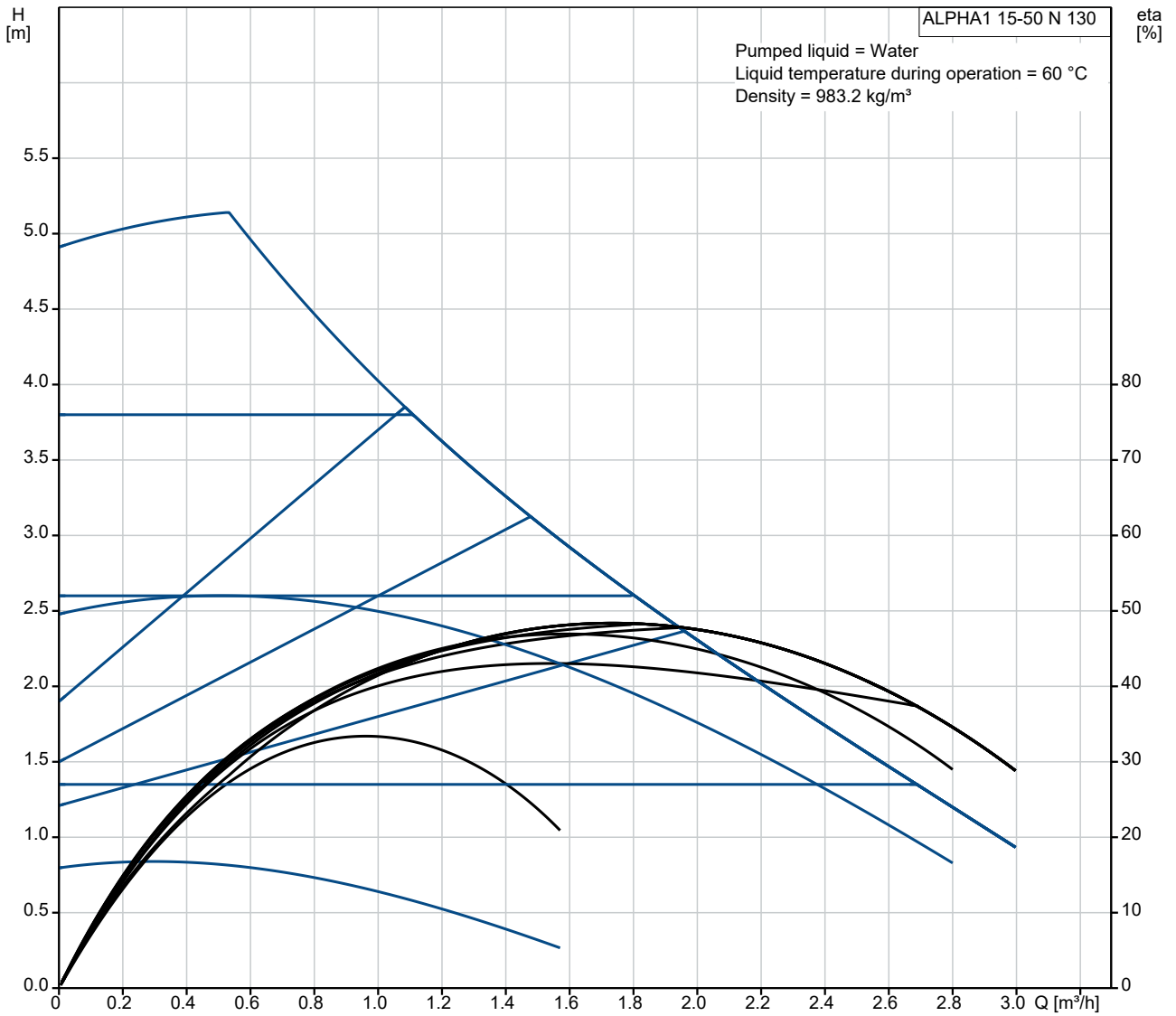
The bearings are lubricated by the pumped liquid.

These constructional features ensure maintenance-free operation.

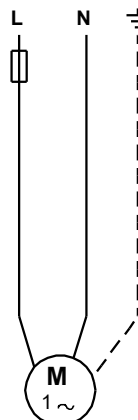
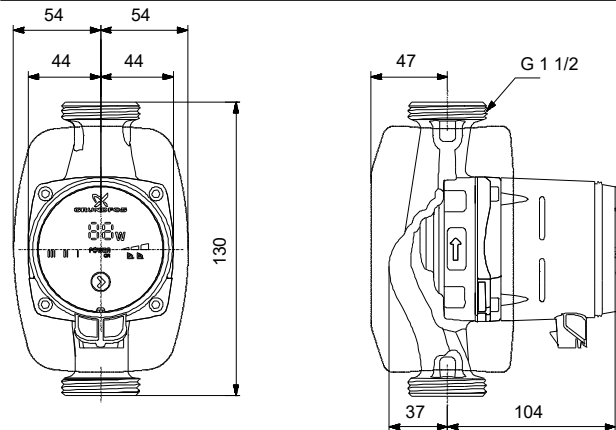
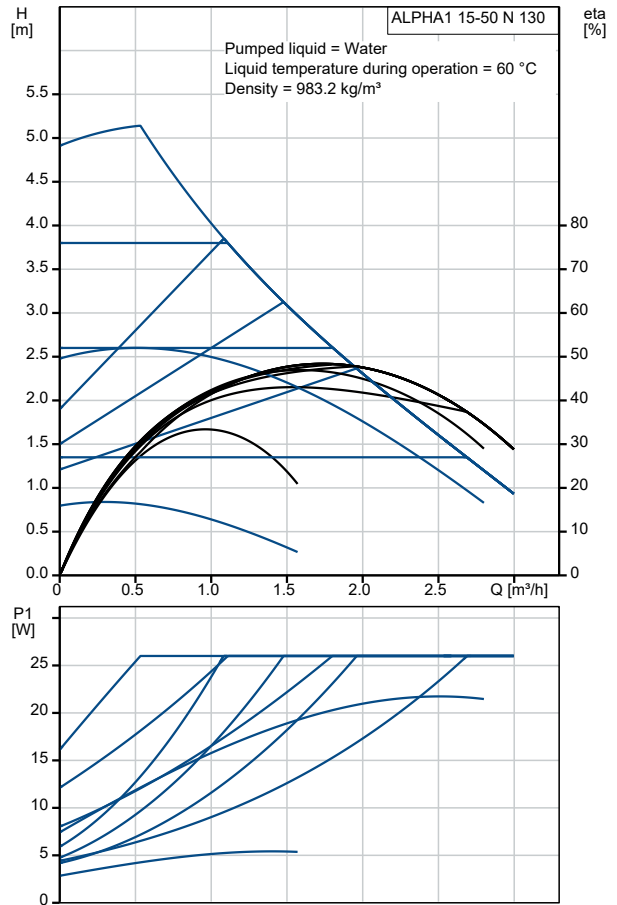
Pump housings made of cast iron are electrocoated to improve corrosion resistance. The motor is a synchronous permanent-magnet/compact-stator motor characterised by high efficiency. The pump speed is controlled by an integrated frequency converter incorporated in the control box.

Insulating shells are supplied with pumps to minimise heat loss in heating systems.

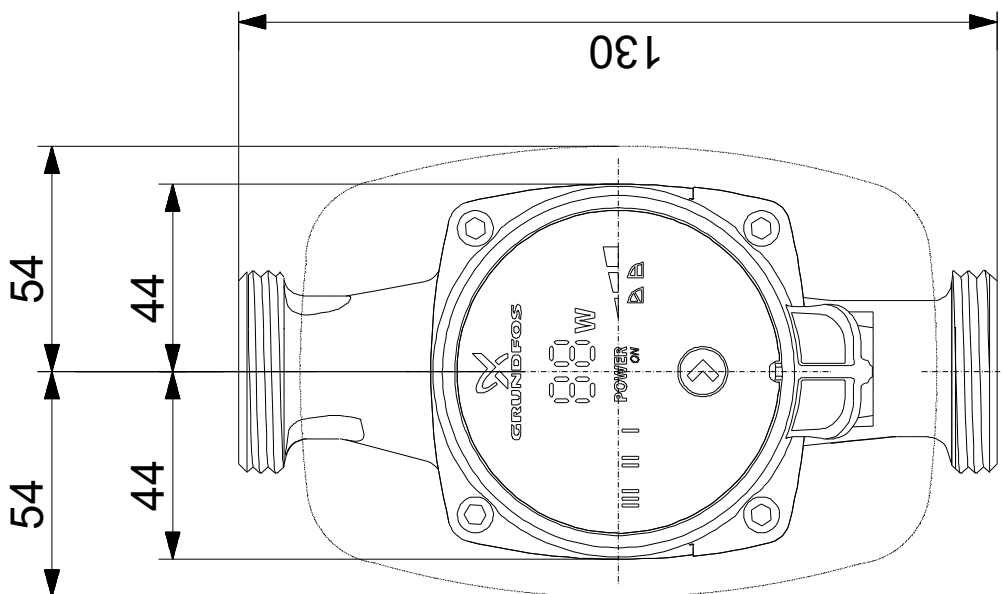
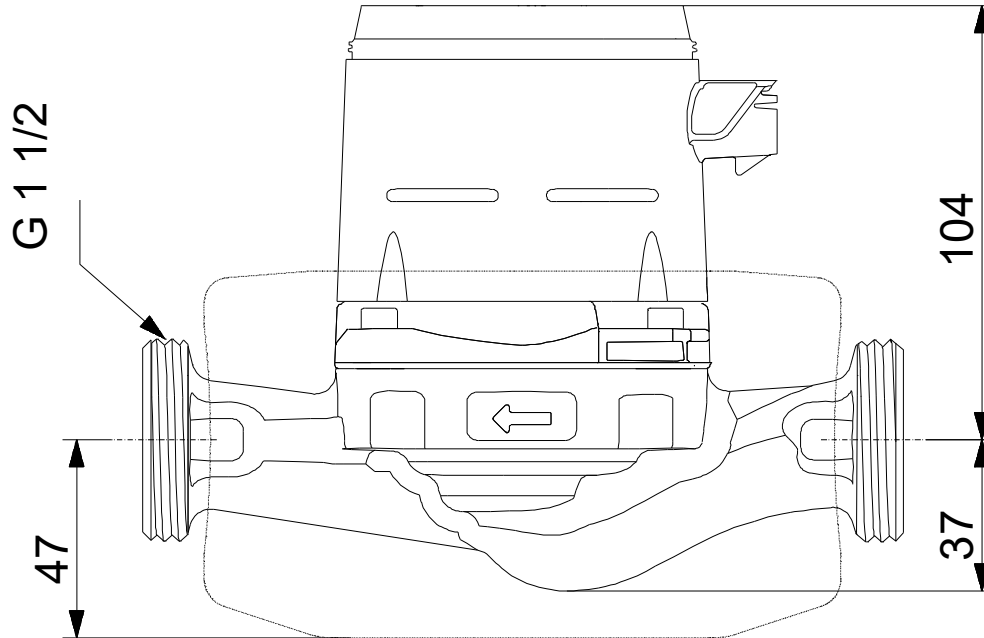
On request ALPHA1 15-50 N 130



Description	Value
General information:	
Product name:	ALPHA1 15-50 N 130
Product No:	On request
EAN number:	On request
Technical:	
Head max:	50 dm
TF class:	110
Approvals on nameplate:	CE,VDE,UKCA
Model:	B
Materials:	
Pump housing:	Stainless steel
Pump housing:	EN 1561 EN-GJL-150
Pump housing:	ASTM A351 CF8
Impeller:	PES
Installation:	
Range of ambient temperature:	0 .. 40 °C
Maximum operating pressure:	10 bar
Pipe connection:	G 1 1/2
Pressure rating:	PN 10
Port-to-port length:	130 mm
Liquid:	
Pumped liquid:	Water
Liquid temperature range:	2 .. 110 °C
Selected liquid temperature:	60 °C
Density:	983.2 kg/m ³
Electrical data:	
Power input - P1:	3 .. 26 W
Mains frequency:	50 / 60 Hz
Rated voltage:	1 x 230 V
Maximum current consumption:	0.04 .. 0.24 A
Enclosure class (IEC 34-5):	X4D
Insulation class (IEC 85):	F
Built-in motor protection:	NONE
Thermal protec:	ELEC
Controls:	
Aut. night:	N
Pos term box:	6H
Others:	
Energy (EEL):	0.20
Net weight:	2.04 kg
Gross weight:	2.2 kg
Shipping volume:	0.004 m ³
Sales region:	GB
Country of origin:	DK
Custom tariff no.:	84137030



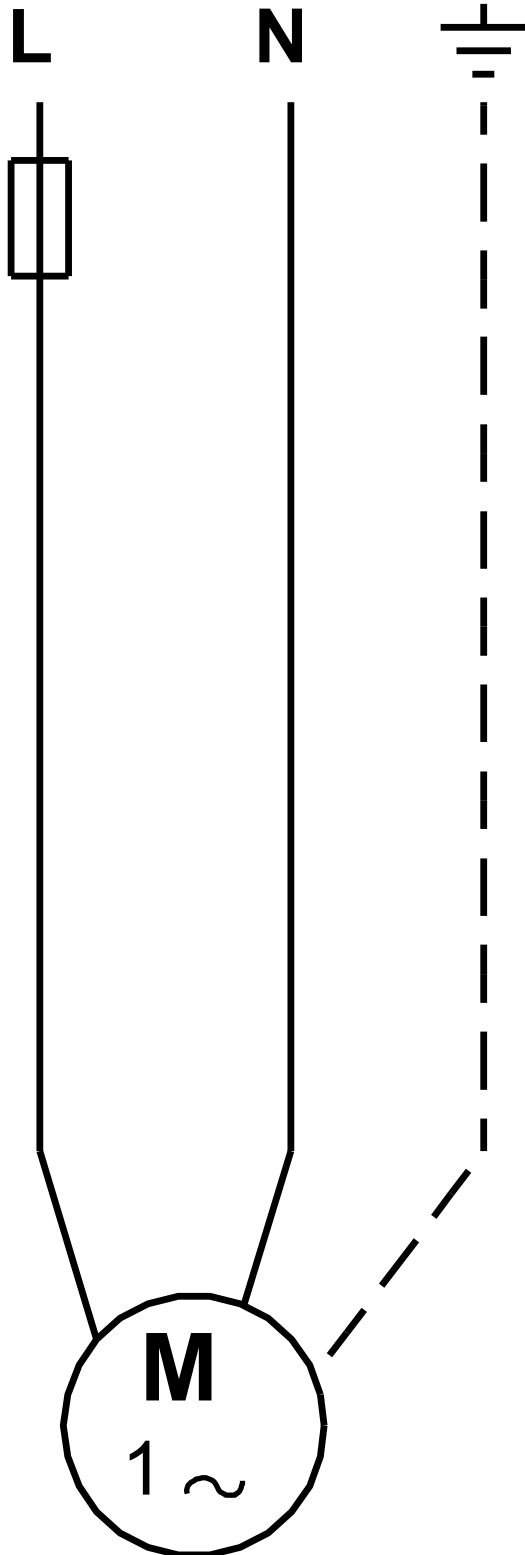
On request ALPHA1 15-50 N 130



Note! All units are in [mm] unless others are stated.

Disclaimer: This simplified dimensional drawing does not show all details.

On request ALPHA1 15-50 N 130



Note! All units are in [mm] unless others are stated.



Company name:

Created by:

Phone:

Date:

03/11/2021

Order Data:

Product name: ALPHA1 15-50 N 130

Amount: 1

Product No: On request

Total: Price on request
