

Qty. Description

1 JP 4-54 S-BBVP



Note! Product picture may differ from actual product

Product No.: [99458789](#)

Grundfos JP 4-54 S-BBVP is a self-priming single-stage centrifugal jet pump with axial inlet and radial outlet for easy adaption to local piping system. The JP pump is ideal for transferring water from wells or ground tanks in a large variety of installations and it has excellent suction capacity.

The JP pump is designed for a long and trouble-free operation. The overall design is robust with excellent corrosion resistance ensured by the stainless steel pump housing, composite impeller and paint application by electrophoresis. JP is small and compact with a lifting handle that makes the pump handy and easy to carry. The compact pump features a built in ejector with guide vanes. This ensures optimum self-priming properties, featuring a suction-lift up to 8 meters. The self-priming pump also ensures a stable operation as is it able to lift liquid from below the inlet level and can handle a mix of air and liquid until the pump reaches a fully-primed pumping condition.

The JP pump has built-in thermal protection, which immediately stops the pump if it overheats. The motor is air cooled and equipped with oversized, sealed, greased-for-life ball bearings to ensure silent operation and minimum service.

Liquid:

Pumped liquid: Water
 Liquid temperature range: 0 .. 40 °C
 Selected liquid temperature: 20 °C
 Density: 998.2 kg/m³

Technical:

Rated flow: 4 m³/h
 Primary shaft seal: BBVP
 Approvals on nameplate: CE
 Curve tolerance: ISO9906:2012 3B
 Rated driver speed: 2800 rpm

Materials:

Pump housing: Stainless steel
 EN 1.4301
 AISI 304
 Impeller: Composite

Installation:

Range of ambient temperature: 0 .. 40 °C
 Maximum operating pressure: 6 bar
 Maximum permissible inlet pressure: 1 bar
 Pump inlet: G1
 Pump outlet: G1

Electrical data:

Power input - P1: 1130 W
 Rated power - P2: 0.746 kW



Company name:

Created by:

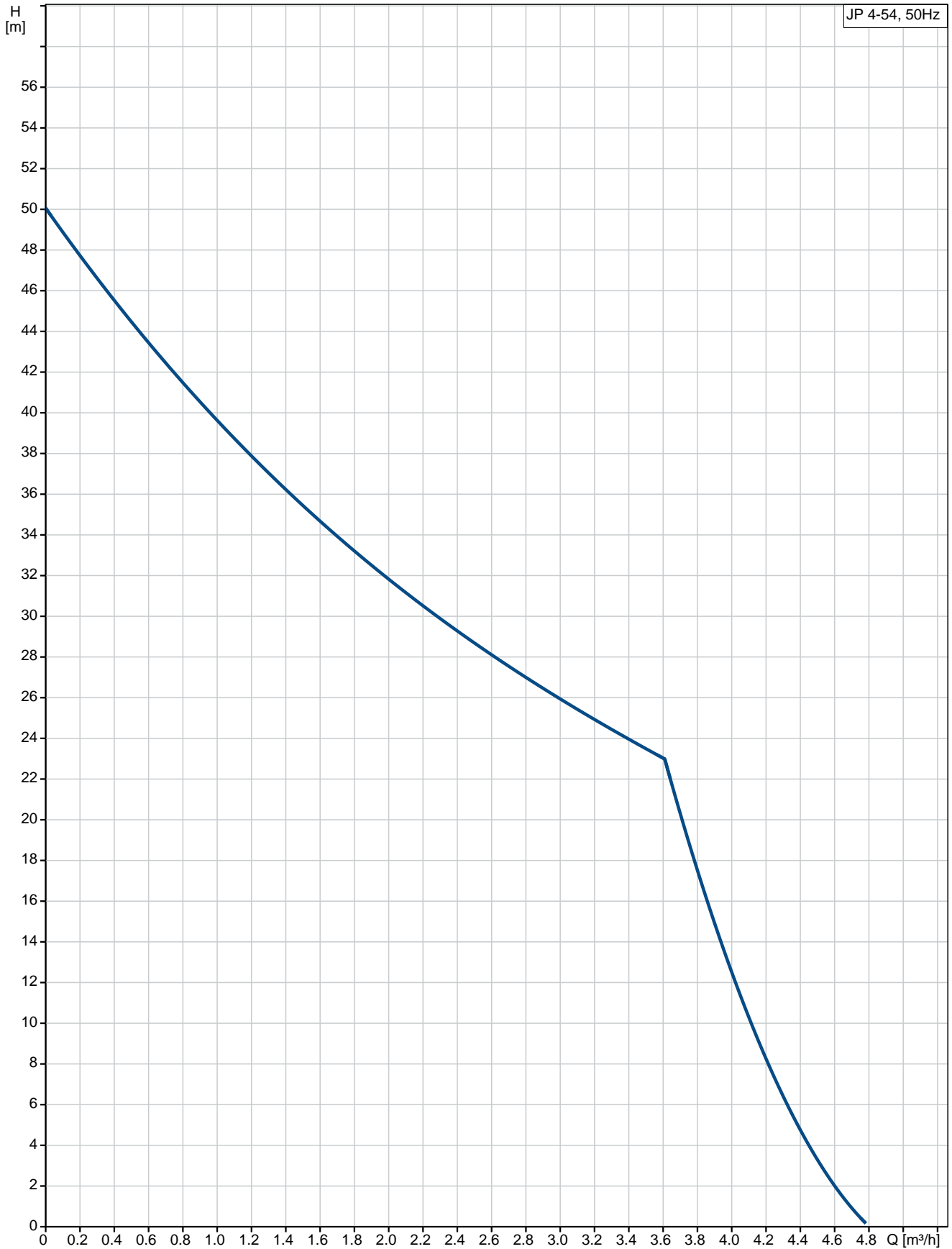
Phone:

Date:

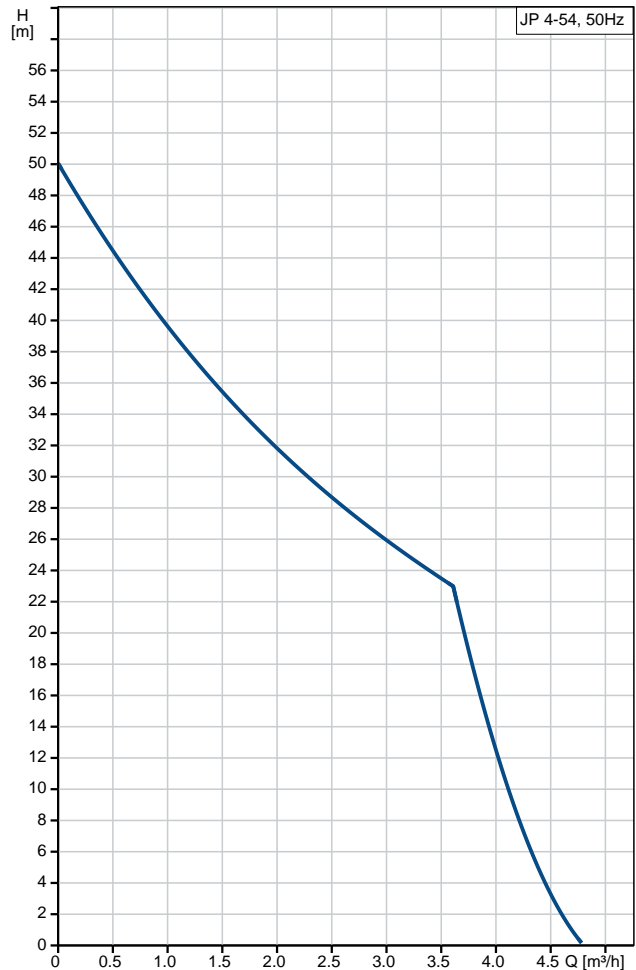
07/02/2020

Qty.	Description
	<p>Mains frequency: 50 Hz Rated voltage: 1 x 230 V Rated current: 5.1 A Starting current: 17.8 A Capacitor size - run: 16 µF/450 V Enclosure class (IEC 34-5): IP44 Insulation class (IEC 85): F Type of cable plug: UK</p> <p>Others: Net weight: 11 kg Gross weight: 12 kg Shipping volume: 0.026 m³</p>

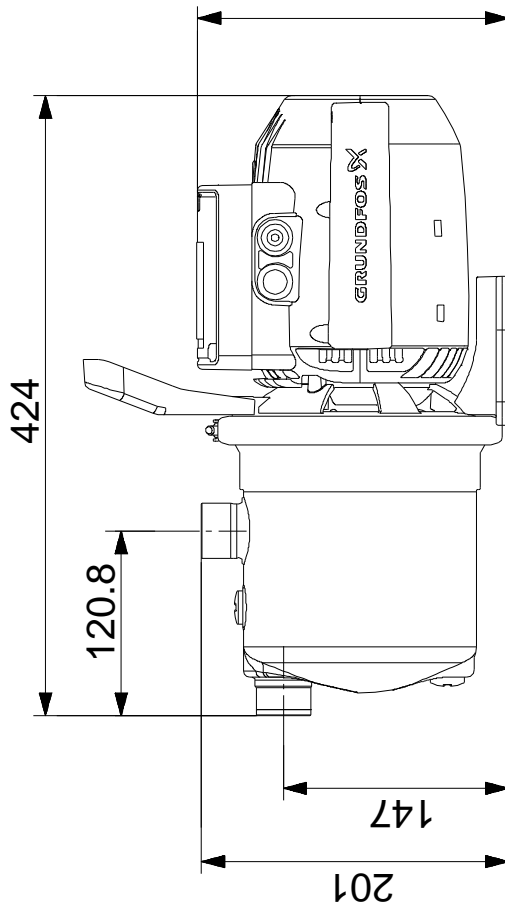
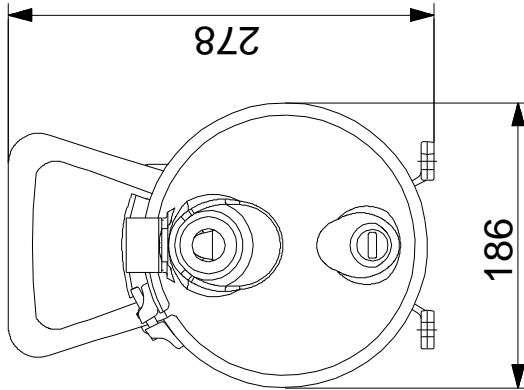
99458789 JP 4-54 S-BBVP 50 Hz



Description	Value
General information:	
Product name:	JP 4-54 S-BBVP
Product No:	99458789
EAN number:	5713829460317
	5713829460317
Technical:	
Rated flow:	4 m ³ /h
Head max:	50 m
Primary shaft seal:	BBVP
Approvals on nameplate:	CE
Curve tolerance:	ISO9906:2012 3B
Model:	A
Rated driver speed:	2800 rpm
Materials:	
Pump housing:	Stainless steel
	EN 1.4301
	AISI 304
Impeller:	Composite
Material code:	S
Installation:	
Range of ambient temperature:	0 .. 40 °C
Maximum operating pressure:	6 bar
Maximum permissible inlet pressure:	1 bar
Pump inlet:	G1
Pump outlet:	G1
Liquid:	
Pumped liquid:	Water
Liquid temperature range:	0 .. 40 °C
Selected liquid temperature:	20 °C
Density:	998.2 kg/m ³
Electrical data:	
Power input - P1:	1130 W
Rated power - P2:	0.746 kW
Mains frequency:	50 Hz
Rated voltage:	1 x 230 V
Rated current:	5.1 A
Starting current:	17.8 A
Capacitor size - run:	16 µF/450 V
Enclosure class (IEC 34-5):	IP44
Insulation class (IEC 85):	F
Type of cable plug:	UK
Cable:	Y
Controls:	
Presscontrol:	without press control
Switch:	on/off switch not included
Others:	
Net weight:	11 kg
Gross weight:	12 kg
Shipping volume:	0.026 m ³

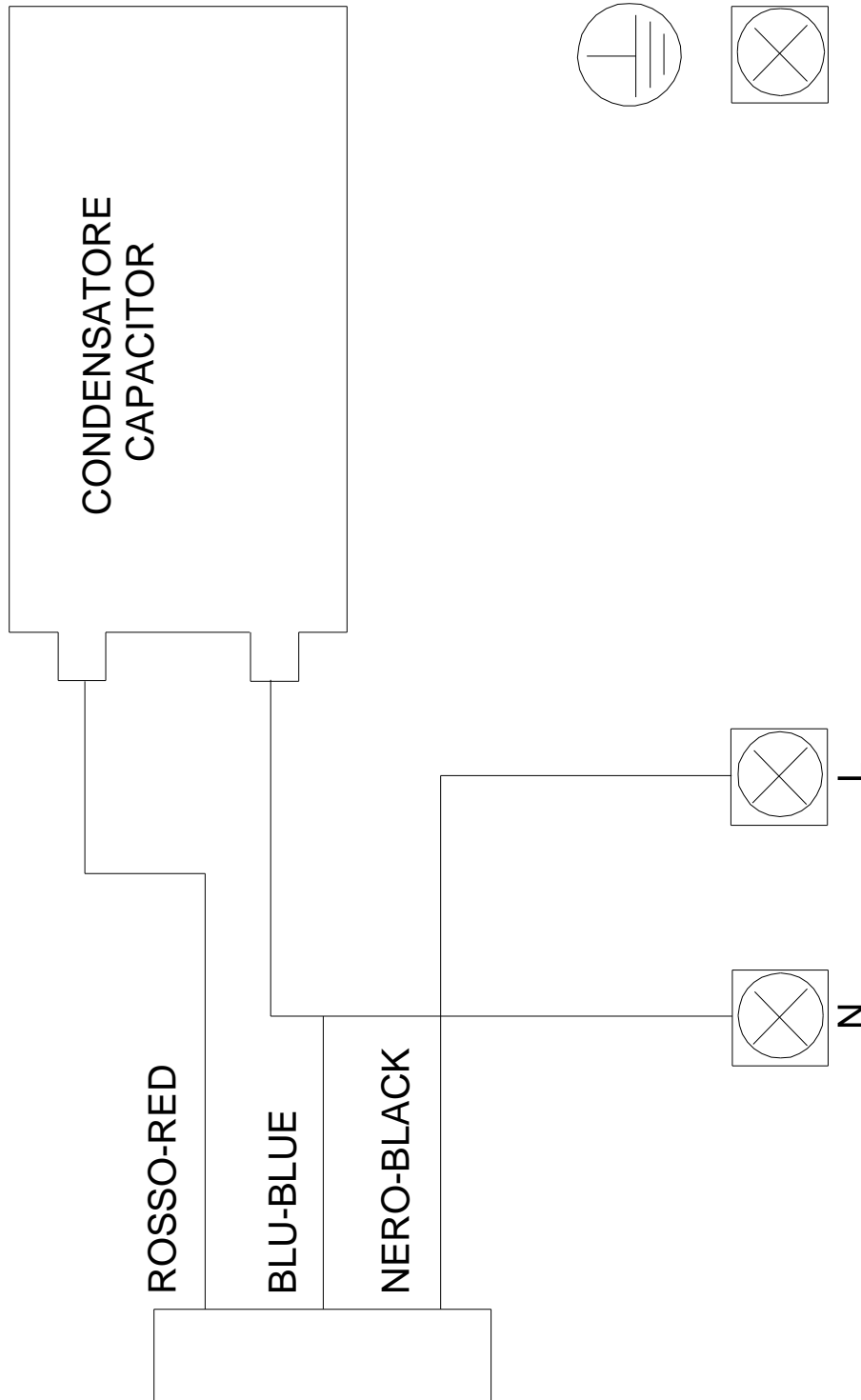


99458789 JP 4-54 S-BBVP 50 Hz



Note! All units are in [mm] unless others are stated.
Disclaimer: This simplified dimensional drawing does not show all details.

99458789 JP 4-54 S-BBVP 50 Hz



Note! All units are in [mm] unless others are stated.