

Qty. Description

1 MIXIT 32-16 L F



Note! Product picture may differ from actual product

Product No.: [99508836](#)

Grundfos MIXIT is a pre-fabricated, complete mixing loop with integrated control functions designed for heating and cooling systems. MIXIT is mainly suited for three-way installations in large buildings, such as schools, with no need for monitoring, pressure independence or balancing.

With MIXIT a complete mixing loop is built with only two components: a MIXIT valve unit and the best-in-class Grundfos MAGNA3 circulator pump.

Because MIXIT communicates wirelessly with MAGNA3, only two power cables are required for the MIXIT system to work.

The compact design ensures a maximum utilisation of space and a tidy and compact installation.

MIXIT has an integrated actuator and controller and built-in flow and temperature sensors.

Due to the uniquely designed valve and real-time sensor measurements, MIXIT ensures precise flow temperature control even at low flow.

Threaded versions of MIXIT have an integrated, removable non-return valve.

Non-return valves are available as an accessory for flange versions.

MIXIT is controlled via an intuitive operating panel and communicates wirelessly with Grundfos GO Remote for easy setup and control. MIXIT can be configured via three I/O terminals and two relay outputs.

The MIXIT system can operate as a standalone mixing loop in buildings without any additional equipment. Fieldbus (BACnet, Modbus or GENIbus) via Ethernet RJ45 and RS485 transceiver ensures easy BMS integration, allowing MIXIT to also work as a subsystem in larger buildings.

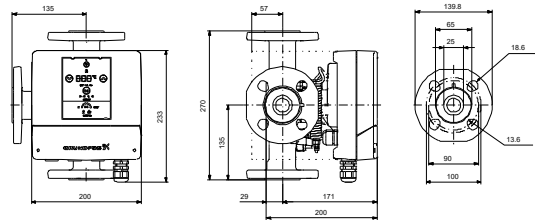
MIXIT offers all functions needed to tailor your mixing loop to your system, including the following:

- Temperature control
- External setpoint reduce for radiator heating systems
- Underfloor overheat protection for underfloor heating systems
- Coil preheat and frost protection for air handling unit systems
- Pump control modes for all heating and cooling applications
- Outdoor temperature compensation
- Eco schedule and warm-weather shutdown.

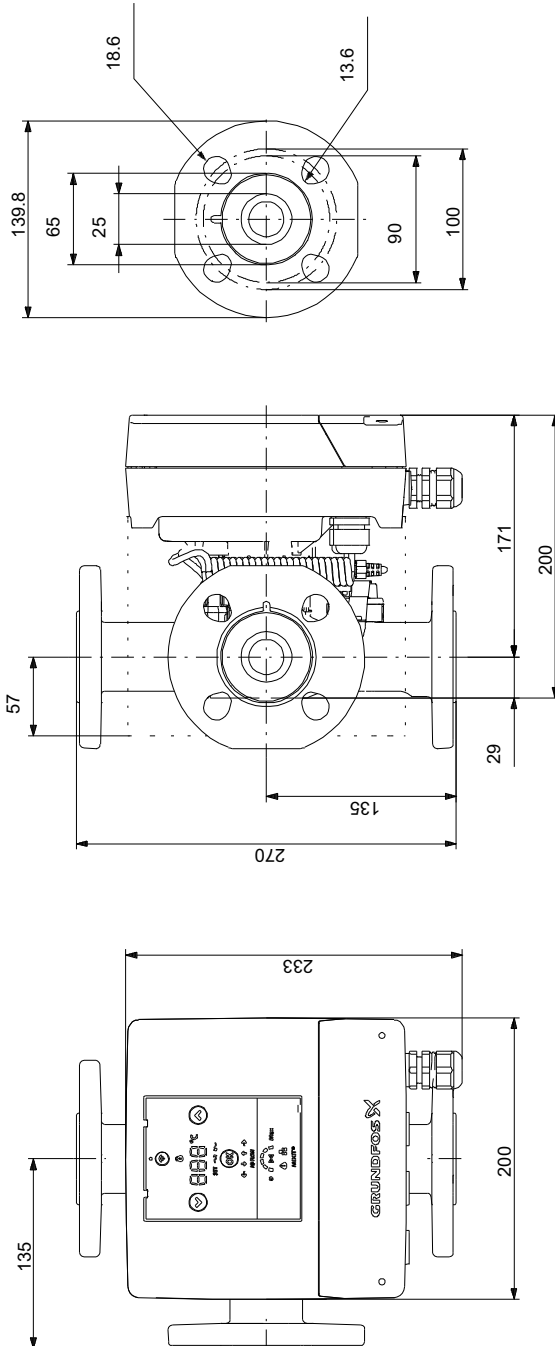
MIXIT DYNAMIC also gives access to Grundfos BuildingConnect Free Monitoring, a real-time monitoring system with alarm and warning notifications.

MIXIT can be combined with the DYNAMIC and CONNECT upgrade.

Description	Value
General information:	
Product name:	MIXIT 32-16 L F
Product No:	99508836
EAN number:	5713830256695
Technical:	
Minimum flow:	0.8 m ³ /h
Maximum flow:	8.8 m ³ /h
TF class:	110
Approvals:	CE
Model:	A
Return valve:	NO
Pressure independing control (Yes/No):	N
Materials:	
Manifold:	Cast iron
Manifold:	EN-GJS-500-7
Installation:	
Range of ambient temperature:	0 .. 50 °C
Maximum operating pressure:	10 bar
Type of connection:	DIN
Size of connection:	DN 32
Pressure rating for connection:	PN 6/10
Shunt orientation:	left
Liquid:	
Liquid temperature range:	0 .. 90 °C
Electrical data:	
Power input P1:	8 W
Mains frequency:	50 Hz
Rated voltage:	1 x 230 V
Maximum current consumption:	0.1 A
Enclosure class (IEC 34-5):	X4D
Others:	
Net weight:	9.96 kg
Gross weight:	11.2 kg
Shipping volume:	0.032 m ³
Country of origin:	DE
Custom tariff no.:	84139100



99508836 MIXIT 32-16 L F 50 Hz



Note! All units are in [mm] unless others are stated.
Disclaimer: This simplified dimensional drawing does not show all details.



Company name: Pump Sales Direct

Created by:

Phone:

Date: 23/06/2022

Order Data:

Product name: MIXIT

Amount: 1

Product No: 99508836

Total: Price on request
