


Qty.	Description
1	<p>CUE 1X200-240V IP21 7,5KW</p>  <p style="text-align: center;">Note! Product picture may differ from actual product</p> <p>Product No.: 99616617</p> <p>CUE is a complete range of external frequency converters designed for speed control of a wide range of Grundfos pumps. CUE has a built-in PI controller and offers the same functionality and user-interface as Grundfos E-pumps. CUE solutions can thus be seen as an extension to the E-pump range.</p> <p>By choosing a CUE-solution, you will get the following benefits:</p> <ul style="list-style-type: none">- Grundfos E-pump functionality and user-interface- application- and pump-family-related functions- increased comfort compared to fixed-speed pumps- very easy installation and commissioning compared to standard frequency converters- speed control of pumps up to 250 kW- speed control of pumps installed in potentially explosive environments. <p>CUE offers the following inputs and output:</p> <ul style="list-style-type: none">- RS-485 GENIbus- an analog 0-10 V input for external setpoint- an analog 0/4-20 mA input for sensor- four digital inputs for various functions, for instance external start/stop- two signal relays (C/NO/NC). <p>Accessories:</p> <p>Input/output add-on board</p> <p>Provides additional input:</p> <ul style="list-style-type: none">- one 0/4-20 mA analog input for an additional sensor- one 0-20 mA analog output- two inputs for Pt100/Pt1000 temperature sensors, for instance for bearing monitoring. <p>Motor filters:</p> <p>For reduction of dU/dt and peak voltages to the motor windings and for reduction of the acoustic noise generated in the motor, a number of motor filters are offered:</p> <ul style="list-style-type: none">- dU/dt filters , 11-250 kW- Sine wave filters, 0.55-250 kW. <p>Technical:</p> <p>Approvals on nameplate: CE, CULUS, C-TICK</p> <p>Installation:</p> <p>Range of ambient temperature: 0 .. 45 °C Relative humidity: 5-95 %</p> <p>Electrical data:</p> <p>Rated power - P2: 7.5 kW Mains frequency: 50 / 60 Hz Rated voltage [V]: 1 x 200-240 V Rated current: 30.8 A Maximum current consumption: 30.8 A Efficiency at full load: 98 % Enclosure class (IEC 34-5): IP21</p>



Company name: Pump Sales Direct

Created by:

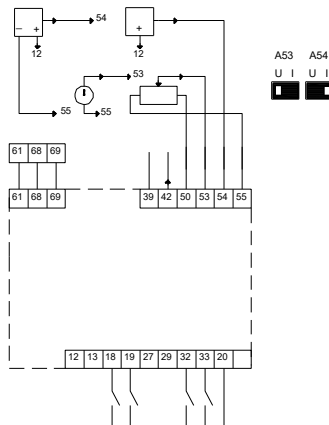
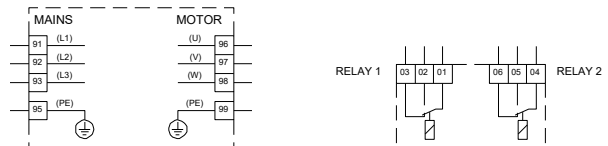
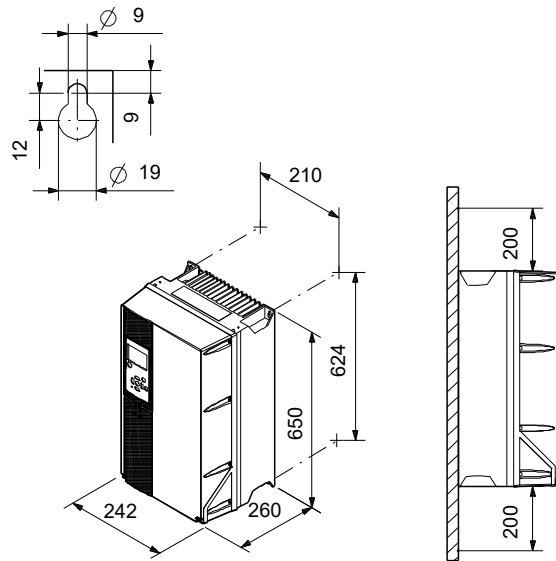
Phone:

Date: 20/06/2022

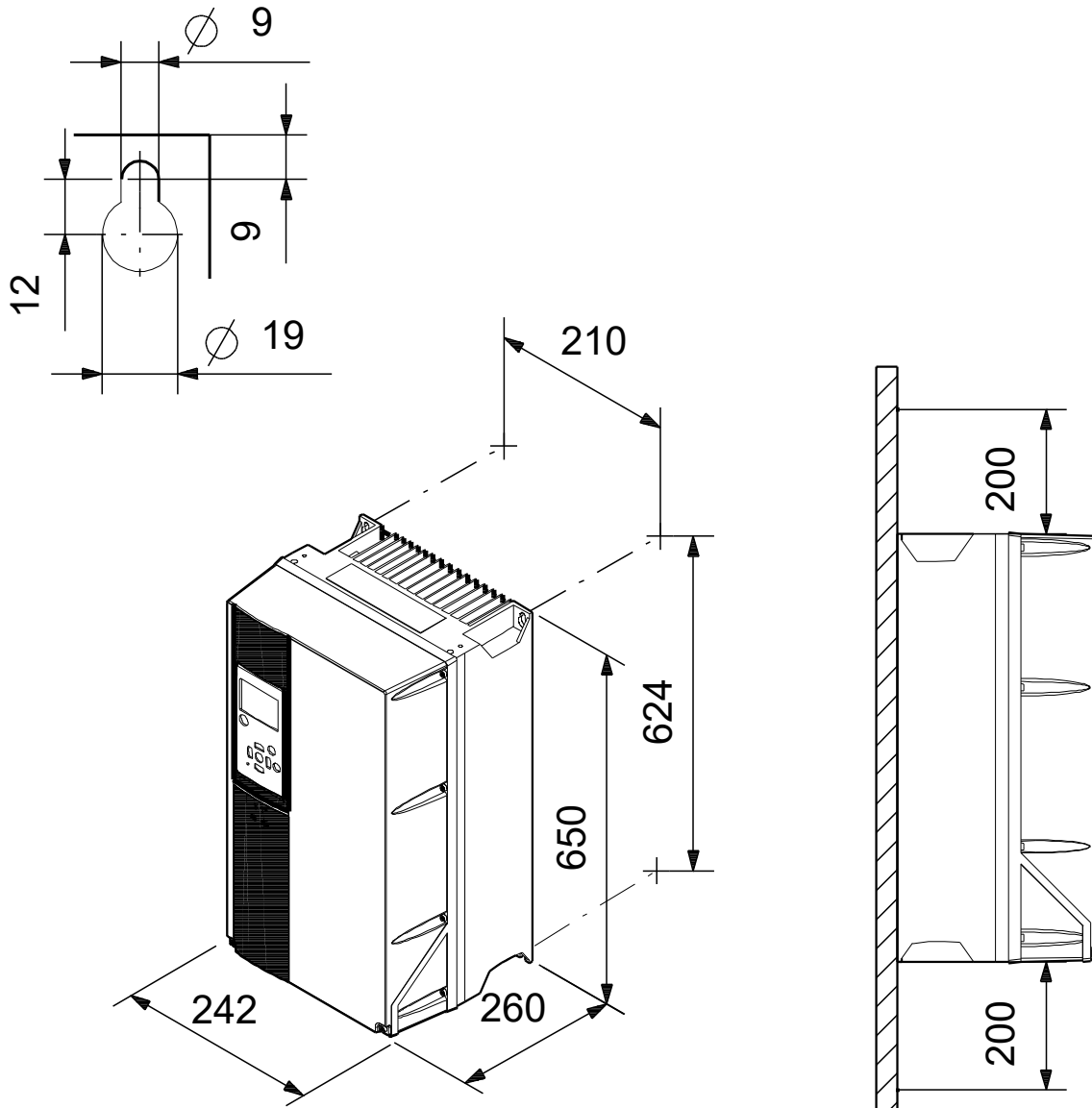
Qty.	Description
------	-------------

	Others: Net weight: 27 kg Danish VVS No.: 382994275
--	---

Description	Value
General information:	
Product name:	CUE 1X200-240V IP21 7,5KW
Product No:	99616617
EAN number:	5713831973225
Technical:	
Approvals on nameplate:	CE, CULUS, C-TICK
Installation:	
Range of ambient temperature:	0 .. 45 °C
Relative humidity:	5-95 %
Mounted on:	Wall
Electrical data:	
Rated power - P2:	7.5 kW
Mains frequency:	50 / 60 Hz
Rated voltage [V]:	1 x 200-240 V
Rated current:	30.8 A
Maximum current consumption:	30.8 A
Efficiency at full load:	98 %
Enclosure class (IEC 34-5):	IP21
Built-in motor protection:	YES
Thermal protec:	external
Cable length:	150/300 m
Others:	
Net weight:	27 kg
Danish VVS No.:	382994275

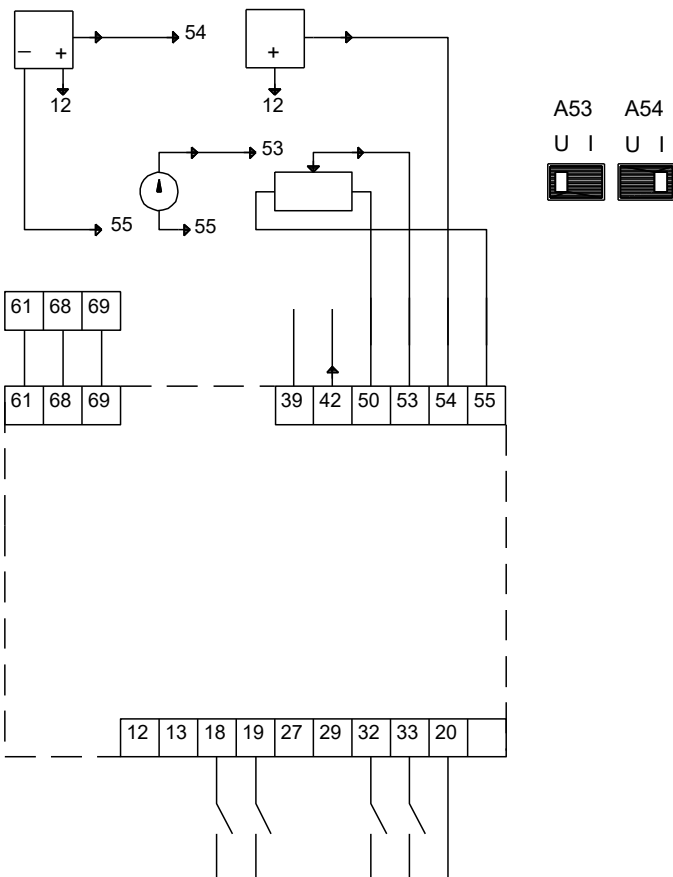
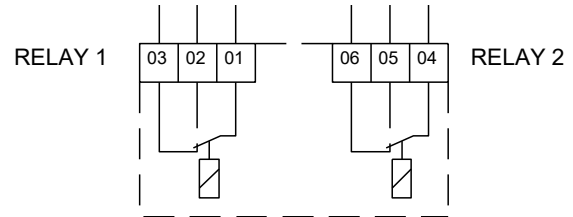
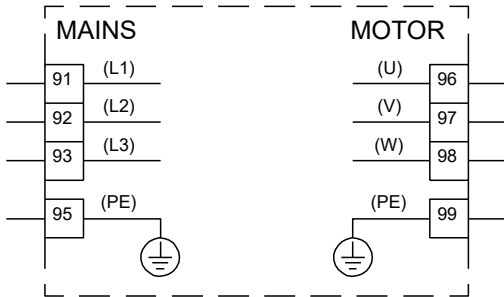


99616617 CUE 1X200-240V IP21 7,5KW



Note! All units are in [mm] unless others are stated.
Disclaimer: This simplified dimensional drawing does not show all details.

99616617 CUE 1X200-240V IP21 7,5KW



Note! All units are in [mm] unless others are stated.



Company name: Pump Sales Direct

Created by:

Phone:

Date: 20/06/2022

Order Data:

Product name: CUE 1X200-240V IP21 7,5KW

Amount: 1

Product No: 99616617

Total: Price on request
