


Qty.	Description
1	<p data-bbox="199 324 550 369"><b>CUE 3X380-500V IP20 0,75KW</b></p> <div data-bbox="311 414 470 672" style="text-align: center;">  </div> <p data-bbox="590 683 1061 705" style="text-align: center;"><b>Note! Product picture may differ from actual product</b></p> <p data-bbox="199 712 478 739">Product No.: On request</p> <p data-bbox="199 772 1428 851">CUE is a complete range of external frequency converters designed for speed control of a wide range of Grundfos pumps. CUE has a built-in PI controller and offers the same functionality and user-interface as Grundfos E-pumps. CUE solutions can thus be seen as an extension to the E-pump range.</p> <p data-bbox="199 857 877 884">By choosing a CUE-solution, you will get the following benefits:</p> <ul data-bbox="231 887 1189 1064" style="list-style-type: none"> <li>- Grundfos E-pump functionality and user-interface</li> <li>- application- and pump-family-related functions</li> <li>- increased comfort compared to fixed-speed pumps</li> <li>- very easy installation and commissioning compared to standard frequency converters</li> <li>- speed control of pumps up to 250 kW</li> <li>- speed control of pumps installed in potentially explosive environments.</li> </ul> <p data-bbox="199 1066 662 1093">CUE offers the following inputs and output:</p> <ul data-bbox="231 1095 1021 1243" style="list-style-type: none"> <li>- RS-485 GENIbus</li> <li>- an analog 0-10 V input for external setpoint</li> <li>- an analog 0/4-20 mA input for sensor</li> <li>- four digital inputs for various functions, for instance external start/stop</li> <li>- two signal relays (C/NO/NC).</li> </ul> <p data-bbox="199 1272 343 1299">Accessories:</p> <p data-bbox="199 1301 486 1328">Input/output add-on board</p> <p data-bbox="199 1330 470 1357">Provides additional input:</p> <ul data-bbox="231 1359 1189 1451" style="list-style-type: none"> <li>- one 0/4-20 mA analog input for an additional sensor</li> <li>- one 0-20 mA analog output</li> <li>- two inputs for Pt100/Pt1000 temperature sensors, for instance for bearing monitoring.</li> </ul> <p data-bbox="199 1480 343 1507">Motor filters:</p> <p data-bbox="199 1509 1428 1563">For reduction of dU/dt and peak voltages to the motor windings and for reduction of the acoustic noise generated in the motor, a number of motor filters are offered:</p> <ul data-bbox="231 1568 614 1630" style="list-style-type: none"> <li>- dU/dt filters , 11-250 kW</li> <li>- Sine wave filters, 0.55-250 kW.</li> </ul> <p data-bbox="199 1659 311 1686">Technical:</p> <p data-bbox="199 1688 790 1715">Approvals on nameplate: CE, CULUS, C-TICK</p> <p data-bbox="199 1747 327 1774">Installation:</p> <p data-bbox="199 1776 670 1803">Range of ambient temperature: 0 .. 50 °C</p> <p data-bbox="199 1805 646 1832">Relative humidity: 5-95 %</p> <p data-bbox="199 1863 359 1890">Electrical data:</p> <p data-bbox="199 1892 662 1919">Rated power - P2: 0.75 kW</p> <p data-bbox="199 1921 678 1948">Mains frequency: 50 / 60 Hz</p> <p data-bbox="199 1951 813 1977">Rated voltage [V]: 3 x 380-440/441-500 V</p> <p data-bbox="199 1980 662 2007">Rated current: 2.4-2.1 A</p> <p data-bbox="199 2009 630 2036">Maximum current consumption: 2.4 A</p> <p data-bbox="199 2038 630 2065">Efficiency at full load: 96 %</p> <p data-bbox="199 2067 614 2094">Enclosure class (IEC 34-5): IP20</p>



Company name:

Created by:

Phone:

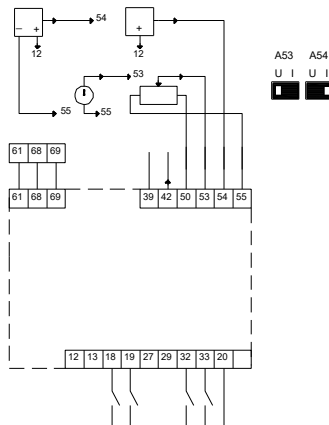
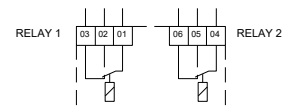
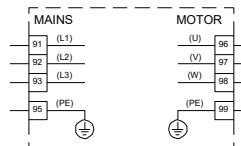
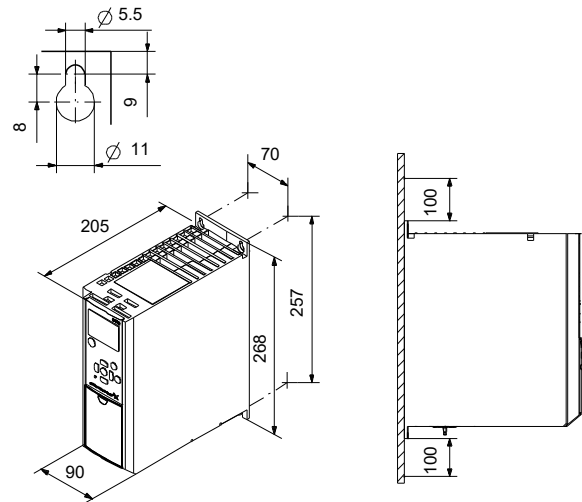
Date:

17/06/2022

Qty.	Description
------	-------------

	Others: Net weight: 4.9 kg Danish VVS No.: 382995007
--	--

Description	Value
<b>General information:</b>	
Product name:	CUE 3X380-500V IP20 0,75KW
Product No:	On request
EAN number:	On request
<b>Technical:</b>	
Approvals on nameplate:	CE, CULUS, C-TICK
<b>Installation:</b>	
Range of ambient temperature:	0 .. 50 °C
Relative humidity:	5-95 %
Mounted on:	Wall
<b>Electrical data:</b>	
Rated power - P2:	0.75 kW
Mains frequency:	50 / 60 Hz
Rated voltage [V]:	3 x 380-440/441-500 V
Rated current:	2.4-2.1 A
Maximum current consumption:	2.4 A
Efficiency at full load:	96 %
Enclosure class (IEC 34-5):	IP20
Built-in motor protection:	YES
Thermal protec:	external
Cable length:	150/300 m
<b>Others:</b>	
Net weight:	4.9 kg
Danish VVS No.:	382995007







Company name:

Created by:

Phone:

Date:

17/06/2022

---

**Order Data:**

Product name: CUE 3X380-500V IP20 0,75KW

Amount: 1

Product No: On request

Total: Price on request

---