


Qty.	Description
1	<p data-bbox="199 338 526 365">CUE 3X380-500V IP55 22KW</p> <div data-bbox="319 414 459 674" style="text-align: center;">  </div> <p data-bbox="592 683 1062 707" style="text-align: center;">Note! Product picture may differ from actual product</p> <p data-bbox="199 714 466 741">Product No.: 99616769</p> <p data-bbox="199 775 1430 851">CUE is a complete range of external frequency converters designed for speed control of a wide range of Grundfos pumps. CUE has a built-in PI controller and offers the same functionality and user-interface as Grundfos E-pumps. CUE solutions can thus be seen as an extension to the E-pump range.</p> <p data-bbox="199 860 876 887">By choosing a CUE-solution, you will get the following benefits:</p> <ul data-bbox="239 891 1190 1066" style="list-style-type: none"> - Grundfos E-pump functionality and user-interface - application- and pump-family-related functions - increased comfort compared to fixed-speed pumps - very easy installation and commissioning compared to standard frequency converters - speed control of pumps up to 250 kW - speed control of pumps installed in potentially explosive environments. <p data-bbox="199 1070 662 1097">CUE offers the following inputs and output:</p> <ul data-bbox="239 1102 1021 1245" style="list-style-type: none"> - RS-485 GENIbus - an analog 0-10 V input for external setpoint - an analog 0/4-20 mA input for sensor - four digital inputs for various functions, for instance external start/stop - two signal relays (C/NO/NC). <p data-bbox="199 1276 341 1303">Accessories:</p> <p data-bbox="199 1308 481 1335">Input/output add-on board</p> <p data-bbox="199 1339 475 1366">Provides additional input:</p> <ul data-bbox="239 1370 1190 1451" style="list-style-type: none"> - one 0/4-20 mA analog input for an additional sensor - one 0-20 mA analog output - two inputs for Pt100/Pt1000 temperature sensors, for instance for bearing monitoring. <p data-bbox="199 1482 338 1509">Motor filters:</p> <p data-bbox="199 1514 1441 1568">For reduction of dU/dt and peak voltages to the motor windings and for reduction of the acoustic noise generated in the motor, a number of motor filters are offered:</p> <ul data-bbox="239 1572 612 1630" style="list-style-type: none"> - dU/dt filters , 11-250 kW - Sine wave filters, 0.55-250 kW. <p data-bbox="199 1662 316 1688">Technical:</p> <p data-bbox="199 1693 791 1720">Approvals on nameplate: CE, CULUS, C-TICK</p> <p data-bbox="199 1751 325 1778">Installation:</p> <p data-bbox="199 1783 670 1809">Range of ambient temperature: 0 .. 45 °C</p> <p data-bbox="199 1814 644 1841">Relative humidity: 5-95 %</p> <p data-bbox="199 1872 363 1899">Electrical data:</p> <p data-bbox="199 1904 635 1930">Rated power - P2: 22 kW</p> <p data-bbox="199 1935 679 1962">Mains frequency: 50 / 60 Hz</p> <p data-bbox="199 1966 810 1993">Rated voltage [V]: 3 x 380-440/441-500 V</p> <p data-bbox="199 1998 651 2024">Rated current: 44-40 A</p> <p data-bbox="199 2029 619 2056">Maximum current consumption: 44 A</p> <p data-bbox="199 2060 622 2087">Efficiency at full load: 98 %</p> <p data-bbox="199 2092 619 2119">Enclosure class (IEC 34-5): IP55</p>



Company name: Pump Sales Direct

Created by:

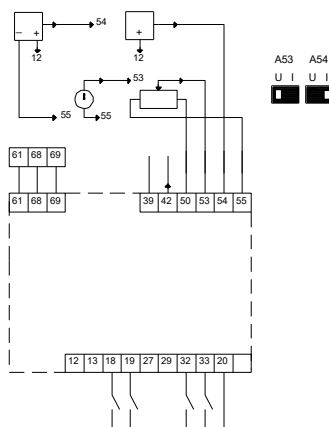
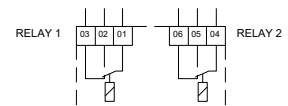
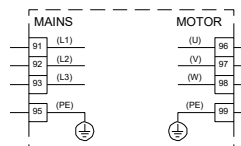
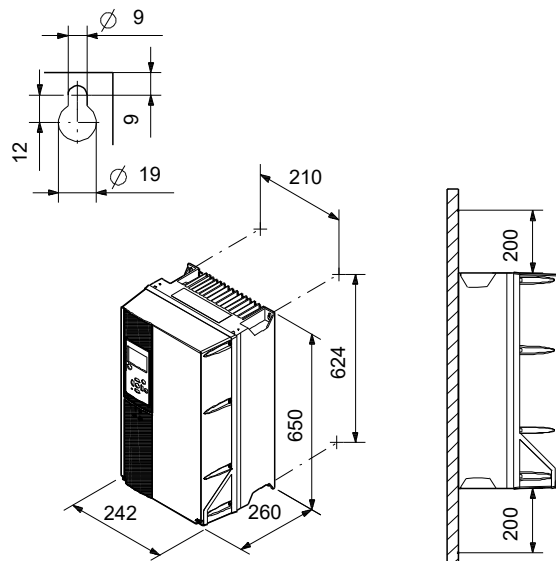
Phone:

Date: 23/06/2022

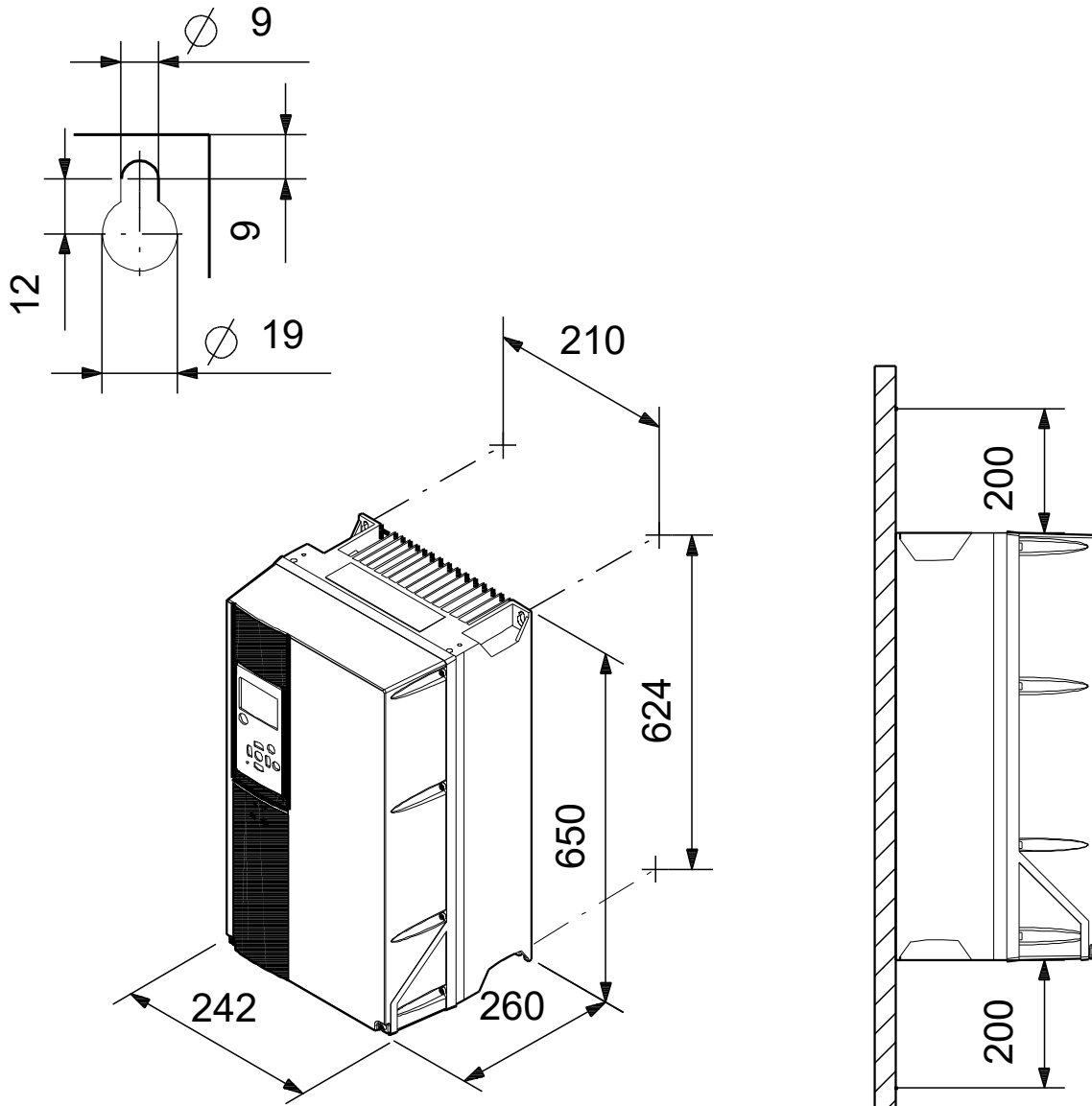
Qty.	Description
------	-------------

	Others: Net weight: 23 kg Danish VVS No.: 382996220 Country of origin: DK Custom tariff no.: 85044090
--	---

Description	Value
General information:	
Product name:	CUE 3X380-500V IP55 22KW
Product No:	99616769
EAN number:	5713831974758
Technical:	
Approvals on nameplate:	CE, CULUS, C-TICK
Installation:	
Range of ambient temperature:	0 .. 45 °C
Relative humidity:	5-95 %
Mounted on:	Wall
Electrical data:	
Rated power - P2:	22 kW
Mains frequency:	50 / 60 Hz
Rated voltage [V]:	3 x 380-440/441-500 V
Rated current:	44-40 A
Maximum current consumption:	44 A
Efficiency at full load:	98 %
Enclosure class (IEC 34-5):	IP55
Built-in motor protection:	YES
Thermal protec:	external
Cable length:	150/300 m
Others:	
Net weight:	23 kg
Danish VVS No.:	382996220
Country of origin:	DK
Custom tariff no.:	85044090



99616769 CUE 3X380-500V IP55 22KW



Note! All units are in [mm] unless others are stated.
Disclaimer: This simplified dimensional drawing does not show all details.



Company name: Pump Sales Direct

Created by:

Phone:

Date: 23/06/2022

Order Data:

Product name: CUE 3X380-500V IP55 22KW

Amount: 1

Product No: 99616769

Total: Price on request
