

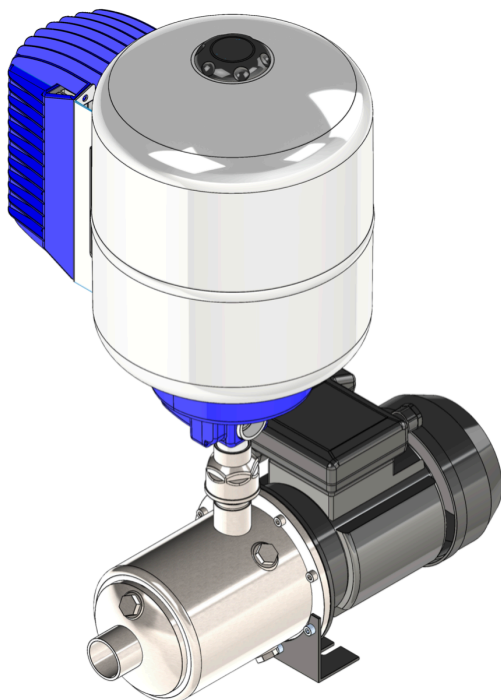
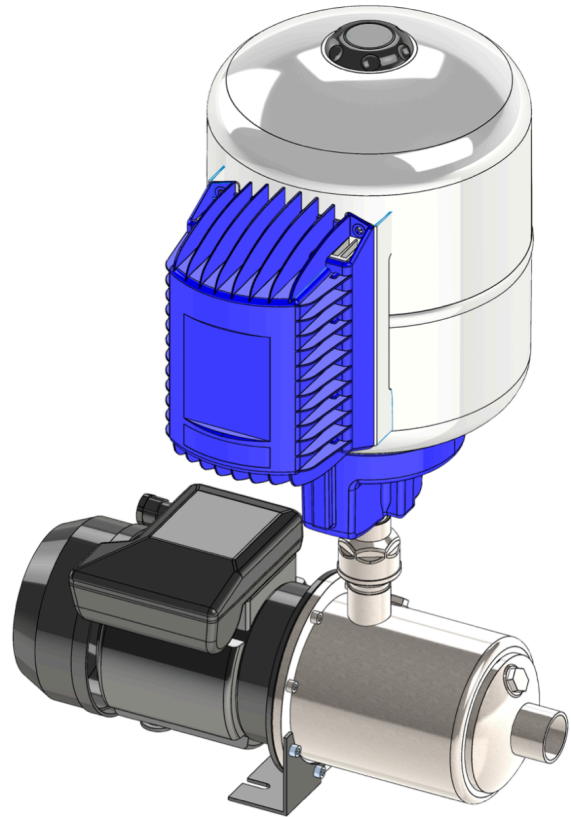
# FlyVar

## COLD WATER BOOSTER SET

The Trebles FLYVAR range of cold water booster sets provide quick and efficient performance in a compact, simple arrangement.

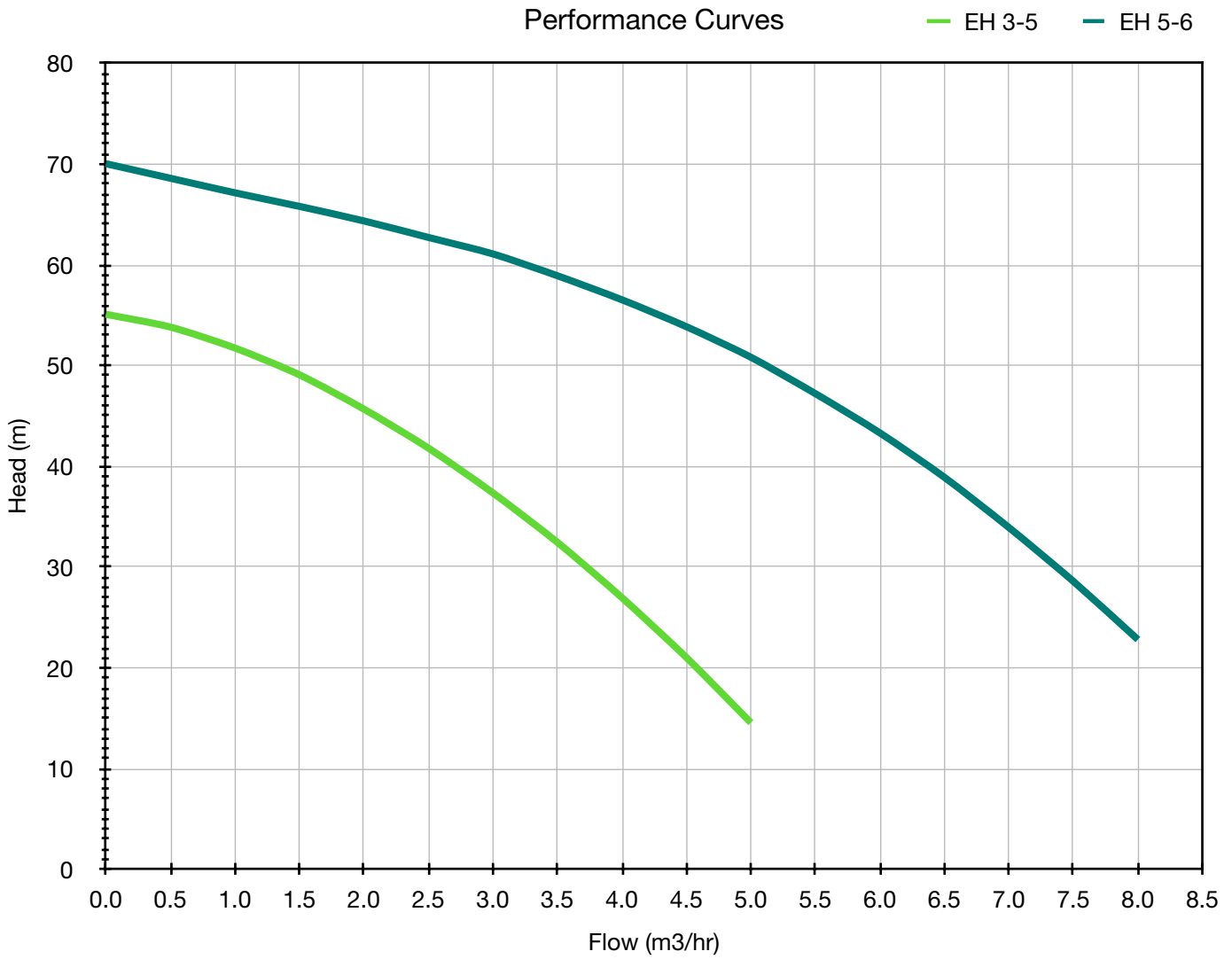
The single pump unit combined with an energy efficient variable speed drive provides constant pressure along with smooth, quiet operation. The set pressure can easily be altered via the intuitive inverter controls which also display a live pressure readout of the system.

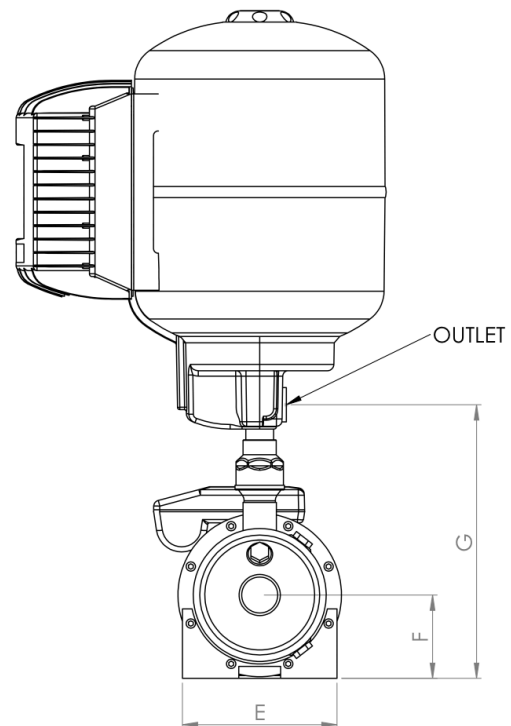
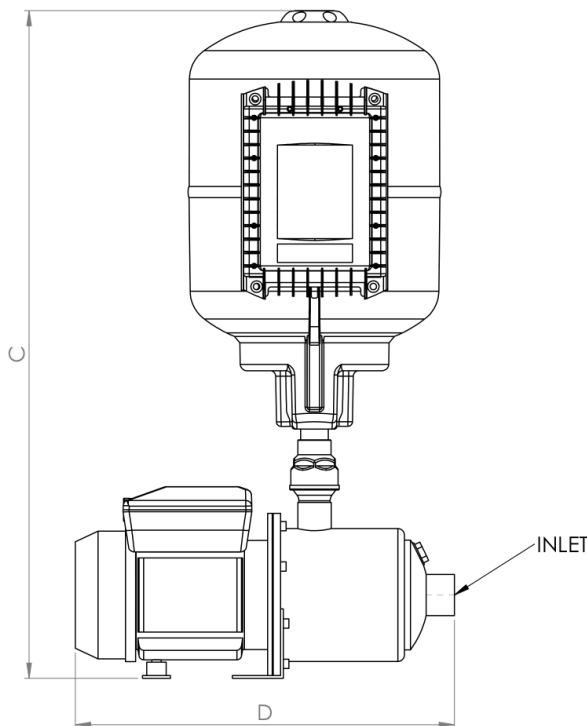
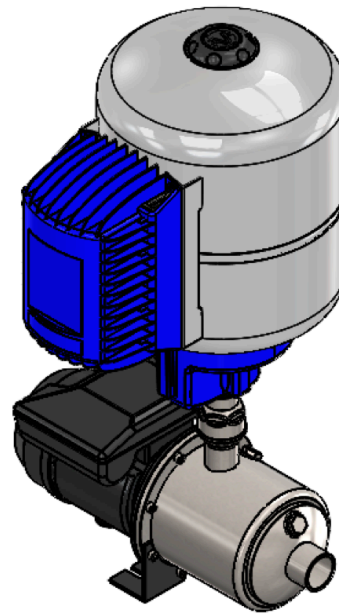
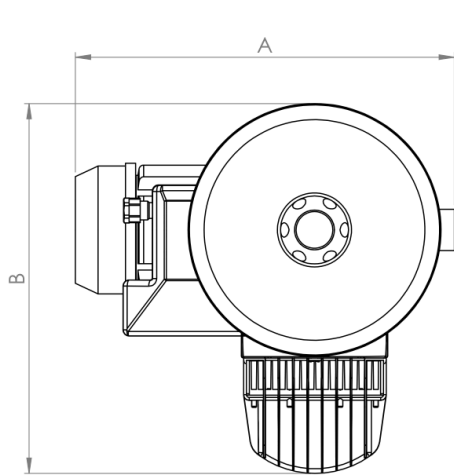
Mounting the inverter directly onto the pressure vessel negates any requirement for mounting brackets, keeping the FLYVAR unit compact and lightweight therefore making it ideal when space is at a premium.



- ✓ Single Pump
- ✓ Potable Water
- ✓ Variable Speed
- ✓ Constant Pressure
- ✓ LCD Display\*
- ✓ Dry Run Protection
- ✓ Overload Protection
- ✓ Quiet Operation
- ✓ Simple Installation
- ✓ 2 Year Guarantee

		5055 FV 3-5	5055 FV 5-6
General	Pumps	1	
	Mounting	Floor Mounted	
	Dry Weight (kg)	21	26
	LCD Display	✗	✓
Performance	Max Pressure (m)	55	70
	Max Flow (m <sup>3</sup> /hr)	5.0	8.0
Operating Conditions	Pressure Rating	PN10	
	Ambient Temperature	5°C / 40°C	
	Water Temperature	5°C / 35°C	
	Relative Humidity	95% non-condensing	
Connections	Inlet	1-1/4" Female BSP	
	Outlet	1" Female BSP	
Materials	Manifolds	Brass	
	Check Valves	AISI 304	
	Fittings	AISI 304 / Brass	
Electrical	Supply	230/1/50	
	Pump Power (kW)	0.75	1.3
	Full Load Current (A)	4.3	7.3





Model	A	B	C	D	E	F	G	INLET	OUTLET
3-5	410	400	720	410	170	90	296	1-1/4" Female BSP	1" Female BSP
5-6	475								