

Performance according to ISO 9906:2012 – Grade 3B

Liquid temperature:

Power datas referred to:

-10°C (14°F) to +110 °C (230°F) for heating pumps

Water [100%]; 4°C; 1000kg/m³; 1.57mm²/s

-10°C (14°F) to +85 °C (185°F) for domestic hot water pumps

Materials

Bush Bearing	Carbon, resin impregnated	IMPELLER	PPS
Thrust bearing	Aluminum oxide	WEAR RING	Stainless steel
Bearing plate	Stainless steel	Rotor can	Stainless steel
Motor housing	Aluminum	SHAFT	Stainless steel
O-rings	EPDM	Control box	Poly carbonate
PUMP HOUSING	Cast Iron		

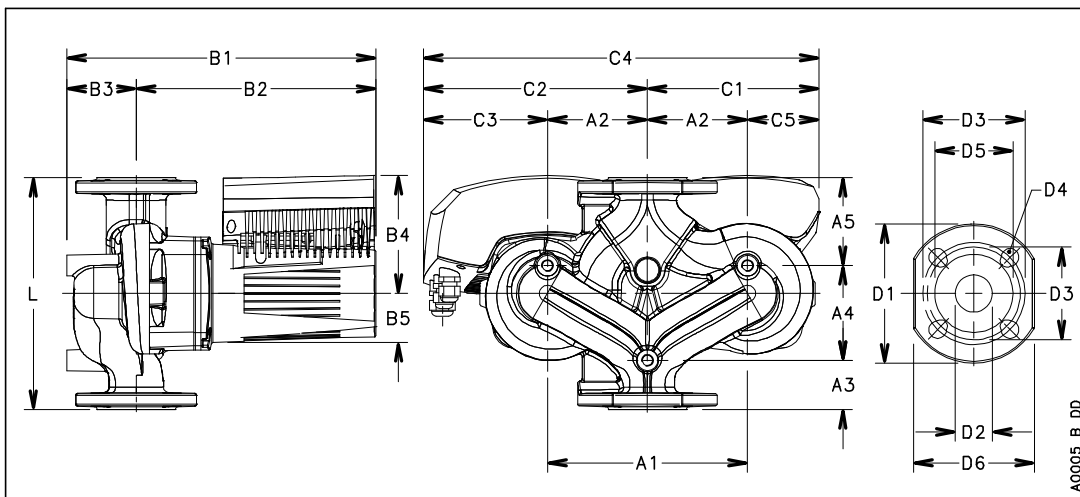
Pump data

Make	Lowara
Port to port (mm)	220
Electrical connection	Terminals
Specific EEI	<= 0,23
Nominal pressure	PN 6/10
Connection	Flanged / DN 32

Electrical data

Rated voltage	230 V
Frequency	50 / 60
Protection class	IP 44
Insulation class	F
Digital input	Contact load: 5V, 10 mA
Digital output	Vmax < 250 VAC / Imax < 2 A
Analog input	0-10 V / 4-20 mA
Leakage current	< 3.5 mA
Communication capabilities	Modbus RTU & BACnet MS/TP
Sound pressure level	<= 45 dB(A)
Rated current	1.6 A

Dimensions mm



A1	190
A2	95
A3	45
A4	92
A5	83
B1	279
B2	210
B3	69
B4	118
B5	51
C1	163
C2	215
C3	120
C4	378
C5	68
D1	140
D2	36
D3	90/100
D4	4 x 14/19
D5	76
G	DN 32
Gross Weight	28.7