

Performance according to ISO 9906:2012 – Grade 3B

Liquid temperature:

-10°C (14°F) to +110 °C (230°F) for heating pumps

-10°C (14°F) to +85 °C (185°F) for domestic hot water pumps

Power data referred to:

Water [100%]; 4°C; 1000kg/m³; 1.57mm²/s

Materials

Bush Bearing	Carbon, resin impregnated	IMPELLER	PPS
Thrust bearing	Aluminum oxide	WEAR RING	Stainless steel
Bearing plate	Stainless steel	Rotor can	Stainless steel
Motor housing	Aluminum	SHAFT	Stainless steel
O-rings	EPDM	Control box	Poly carbonate
PUMP HOUSING	Cast Iron		

Pump data

Make	Lowara
Port to port (mm)	180
Electrical connection	Terminals
Specific EEI	<= 0,23
Nominal pressure	PN 6/10
Connection	Threaded pipe / G 1 ½ – Rp 1

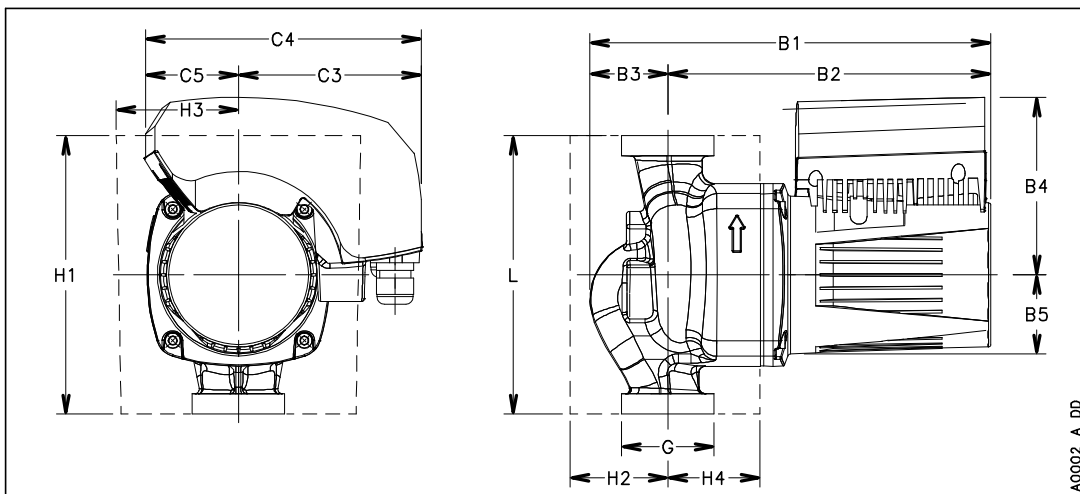
Electrical data

Rated voltage	230 V
Frequency	50 / 60
Protection class	IP 44
Insulation class	F
Digital input	Contact load: 5V, 10 mA
Digital output	Vmax < 250 VAC / Imax < 2 A
Analog input	0-10 V / 4-20 mA
Leakage current	< 3.5 mA
Communication capabilities	Modbus RTU & BACnet MS/TP
Sound pressure level	<= 45 dB(A)
Rated current	1.4 A



Dimensions mm

B1	260
B2	205
B3	55
B4	118
B5	51
C3	116
C4	178
C5	62
G	G 1 ½ – Rp 1
Gross Weight	10.5
H1	180
H2	70
H3	83
H4	55
L	180
Net Weight	7



A0002_A_DD