

CENTRIFUGAL PUMPS - SINGLE IMPELLER in AISI 304

Single impeller centrifugal pumps with hydraulic components manufactured from stainless steel AISI 304, suitable for pressure boosting, water supply, treatment and irrigation. Air conditioning systems and general water pumping including moderately aggressive liquids



SPECIFICATIONS

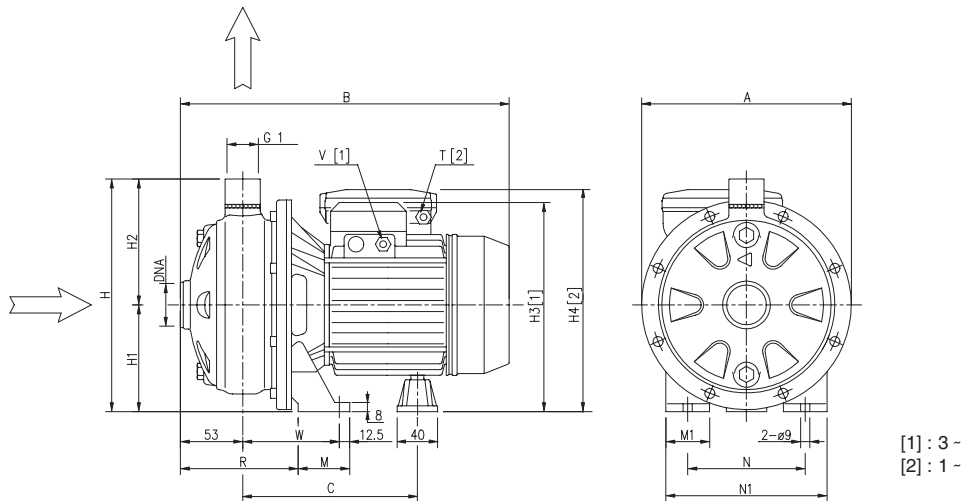
- Maximum working pressure: 8 bar
- Maximum liquid temperature:
60°C for CDX 70/05-70/07-90/10
90°C for other models
110° for H and HS versions

MATERIALS

- Pump body, impeller, diffuser and casing cover in AISI 304
- Shaft in AISI 303
- Bracket and motor casing in aluminium
- Mechanical seal in Ceramic/Carbon/NBR (for CDX)
Ceramic/Carbon/FPM (for CDXH)
SiC/SiC/FPM (for CDXHS)
- Special mechanical seal are available on demand

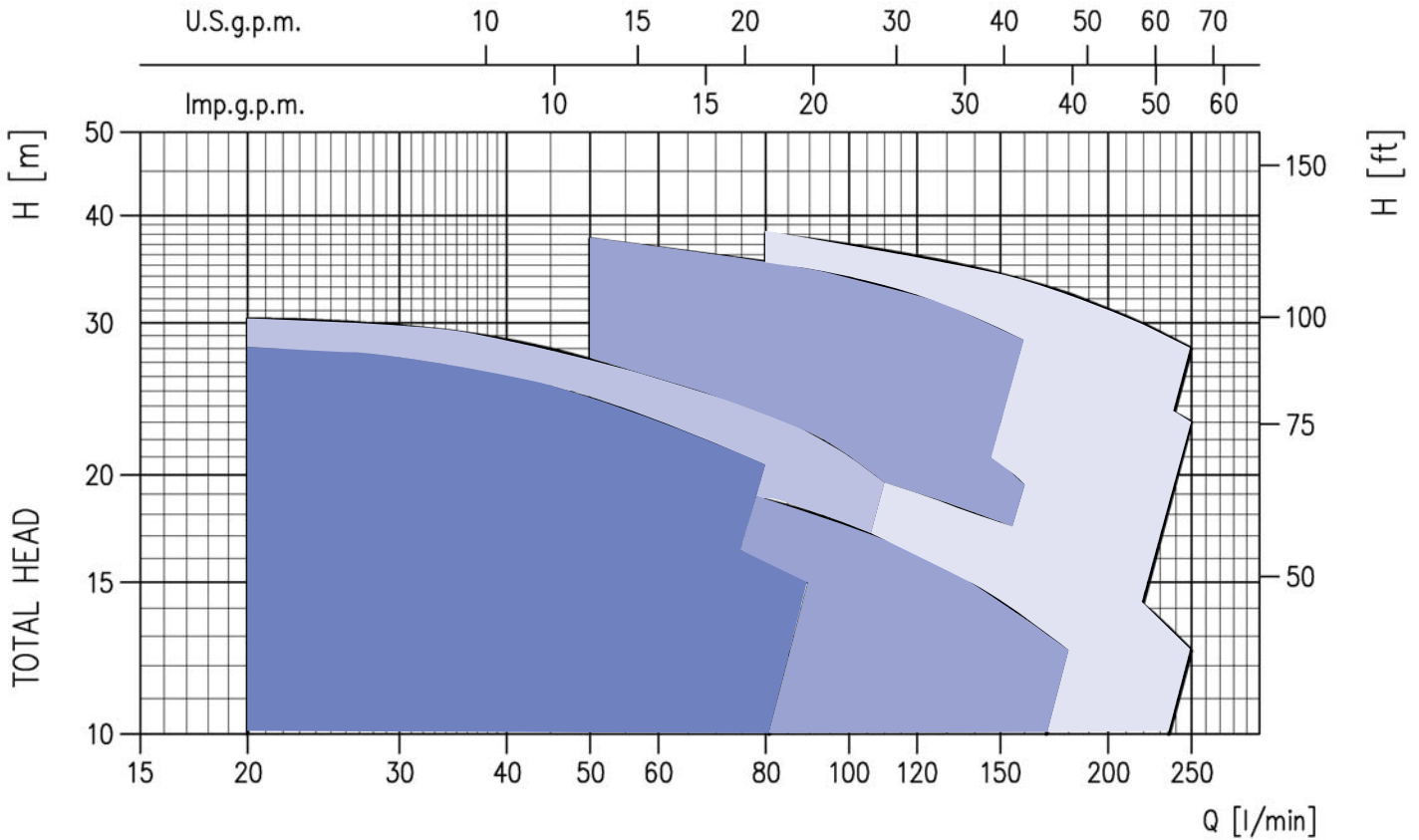
TECHNICAL DATA

- T.E.F.C. 2 poles motor
- Insulation class F
- Protection degree IP55
- 1~230V ± 10% 50Hz, 3~230/400V ± 10% 50Hz
- Permanent split capacitor and automatic thermal overload protection for single-phase version
- Thermal protection to be provided by the user for three-phase version
- Suction 1 1/2" for CDX200, Suction 1 1/4" for the other models
- Discharge 1"



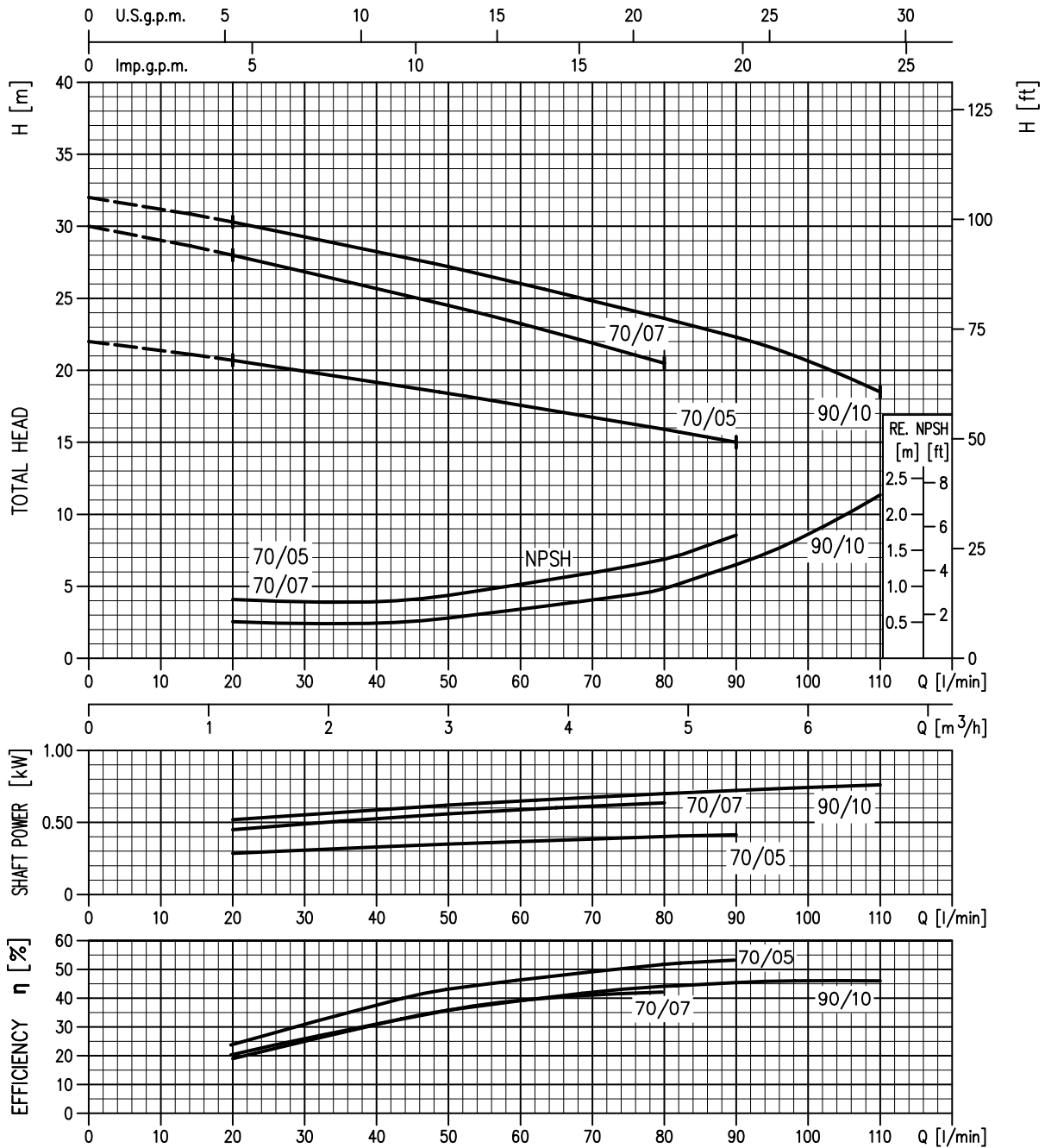
DIMENSIONAL TABLE

Pump type		Dimensions (mm)																Weight (kg)	
		A	B	C	H	H1	H2	H3	H4	M	M1	N	N1	R	T	W	DNA	Single-phase	Three-phase
Single-phase	Three-phase																		
CDXM 70/05	CDX 70/05	208	318	178	229,5	106	123,5	209	215	50	38	120	160	108	PG11	92,5	G 1 1/4	9,1	9,1
CDXM 70/07	CDX 70/07	208	318	178	229,5	106	123,5	209	215	50	38	120	160	108	PG11	92,5	G 1 1/4	10,4	10,4
CDXM 90/10	CDX 90/10	208	318	178	229,5	106	123,5	209	215	50	38	120	160	108	PG11	92,5	G 1 1/4	11,9	11,9
CDXM 120/07	CDX 120/07	208	318	178	229,5	106	123,5	209	215	50	38	120	160	108	PG11	92,5	G 1 1/4	10,4	10,4
CDXM 120/12	CDX 120/12	208	318	178	229,5	106	123,5	209	215	50	38	120	160	108	PG13,5	92,5	G 1 1/4	12,5	12,5
CDXM 120/20	CDX 120/20	232	345	199	250	118	132	235	253	55	40	140	180	105,5	PG13,5	95	G 1 1/4	17,2	16,2
CDXM 200/12	CDX 200/12	208	318	178	229,5	106	123,5	209	215	50	38	120	160	108	PG13,5	92,5	G 1 1/2	16,3	11,4
CDXM 200/20	CDX 200/20	208	345	199	229,5	106	123,5	223	240	55	40	140	180	105,5	PG13,5	95	G 1 1/2	15,3	14,2
	CDX 200/25	232	345	199	250	118	132	235	-	55	40	140	180	105,5	-	95	G 1 1/2	-	17

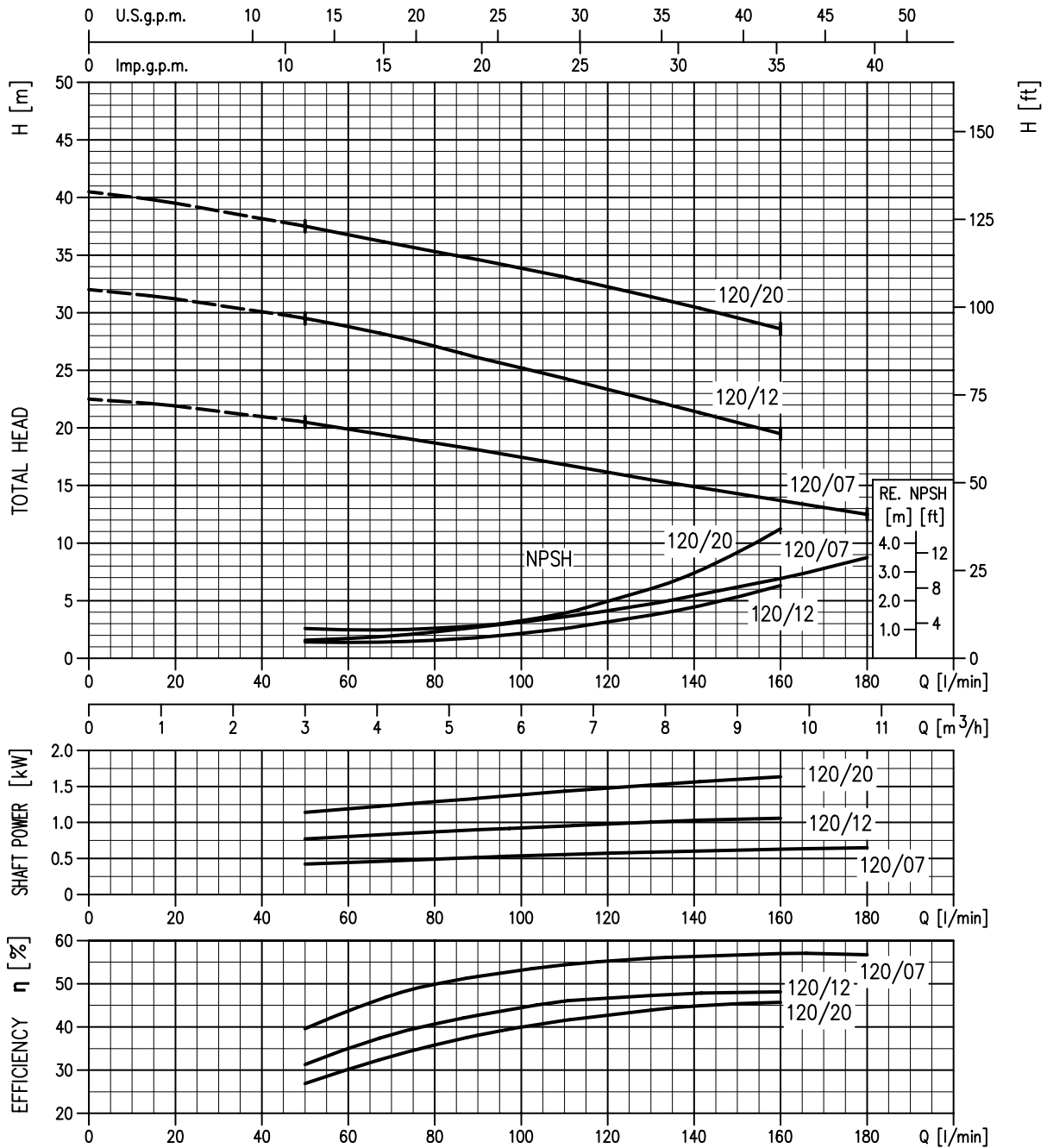
PERFORMANCE CHART (according to ISO 9906 Annex A)

PERFORMANCE TABLE

Pump type		kW	Capacitor		Absorbed Current (A)			l/min m ³ /h	Q=Capacity									
Single-phase 230V 50Hz	Three-phase 230/400V 50Hz		μF	V _c	Single-phase	Three-phase 230V 400V			20	50	80	90	110	130	160	180	210	250
								H=Total head										
CDXM 70/05	CDX 70/05	0,37	12,5	450	3,1	2,4	1,4	20,7	18,4	15,9	15	-	-	-	-	-	-	
CDXM 70/07	CDX 70/07	0,55	16	450	4,6	3,5	2,0	28	24,5	20,5	-	-	-	-	-	-	-	
CDXM 90/10	CDX 90/10	0,75	20	450	5,6	4,0	2,3	30,3	27,2	23,6	22,3	19,5	-	-	-	-	-	
CDXM 120/07	CDX 120/07	0,55	16	450	4,6	3,2	1,9	-	20,5	18,7	18,1	16,8	15,5	13,7	12,5	-	-	
CDXM 120/12	CDX 120/12	0,9	31,5	450	6,9	5,2	3,0	-	29,5	27,1	26,1	24,3	22,4	19,5	-	-	-	
CDXM 120/20	CDX 120/20	1,5	40	450	9,3	7,0	4,0	-	37,5	35,3	34,6	33,1	31,4	28,6	-	-	-	
CDXM 200/12	CDX 200/12	0,9	31,5	450	6,3	4,7	2,7	-	-	20,6	20,2	19,5	18,5	17,1	16,1	14,6	12,5	
CDXM 200/20	CDX 200/20	1,5	40	450	10,7	7,0	4,0	-	-	31	30,6	29,7	28,9	27,5	26,6	25,1	23	
	CDX 200/25	1,8	-	-	-	8,2	4,8	-	-	38	37,5	36,4	35,3	33,6	32,4	30,5	28	

PERFORMANCE CURVES CDX 70-90 series (according to ISO 9906 Annex A)



PERFORMANCE CURVES CDX 120 series (according to ISO 9906 Annex A)



PERFORMANCE CURVES CDX 200 series (according to ISO 9906 Annex A)

