



**Usages:**

The pumps are suitable to transfer liquids containing impurities measuring up to 2-3 mm. The hydraulic components, namely the nylon impeller and scroll and the aluminium pump body allow the pumps to be used with water, emulsions and oily substances in general with a maximum viscosity of 3° Engler (21 CST). The temperature of the liquid must not exceed 90° C.

**They are usually used on:**

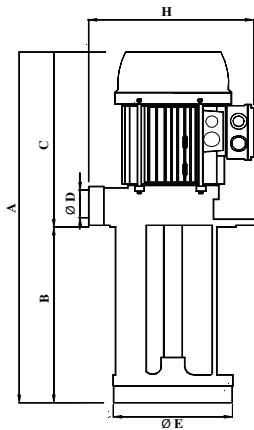
- Machine tools** (milling machines – lathes - drills)
- Glass processing machines** (TRI version)
- Surface treatment systems** (version in cast iron)\*
- Filtration systems**

**Air-conditioning systems**

They should usually be installed on a tank, with a capacity in proportion to the flow rate, at about 4 – 5 cm. from the bottom. It is important to check that the maximum level of the liquid in the tank always remains 3 – 4 cm. lower than the flange (see figure).

In cases where the liquid is particularly dirty, the user is recommended to construct the tank in compartments to allow the dirt to deposit before it is stirred up by the pump.

**For other usages you are advised to consult our technical office.**



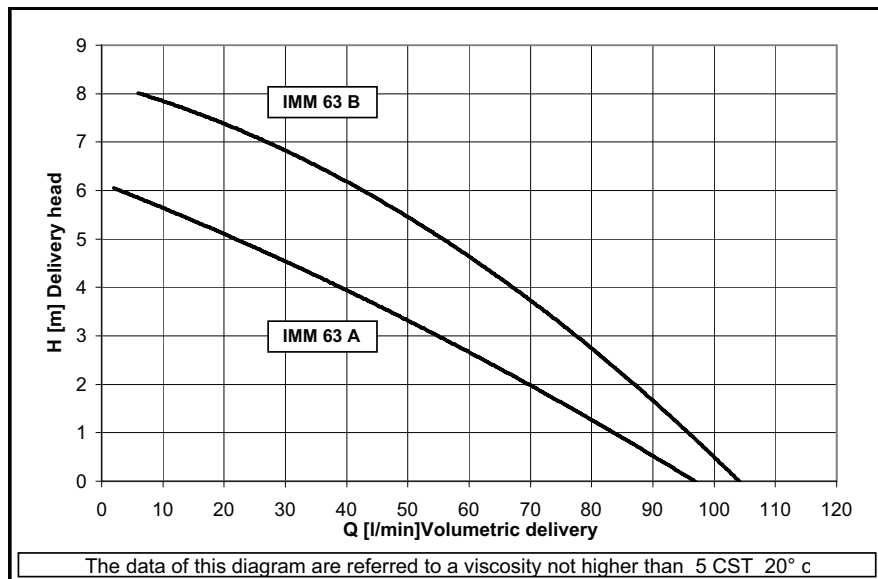
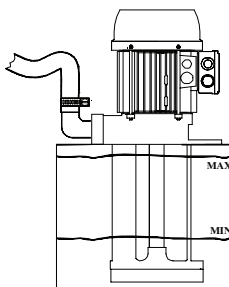
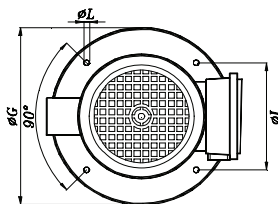
**Table of dimensions and weights**

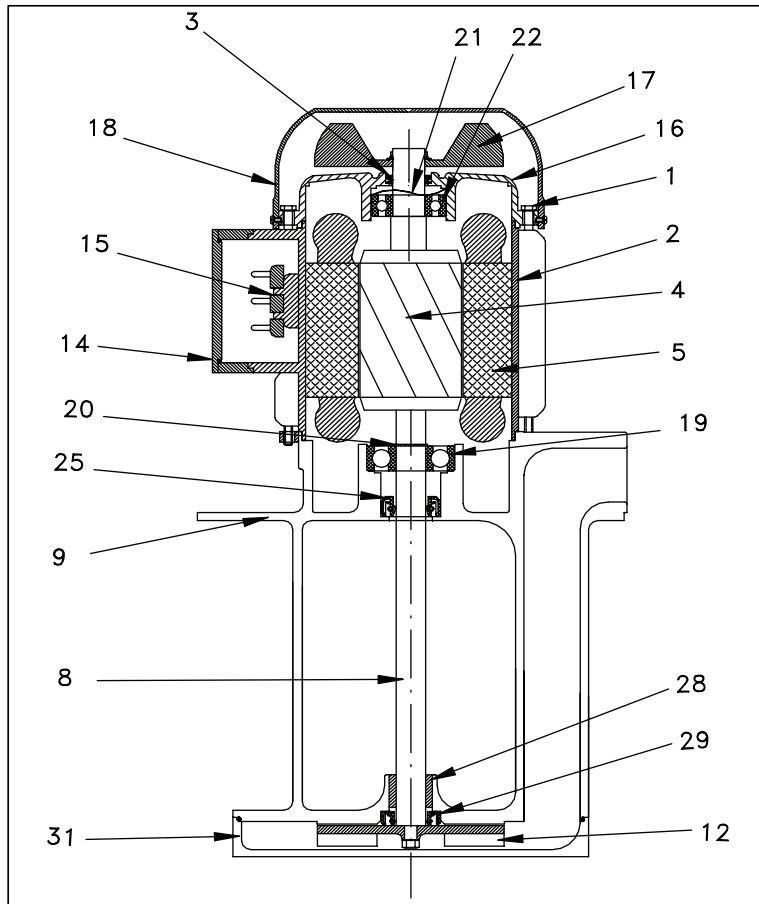
TYPE	A mm	B mm	C mm	ØD mm	ØE mm	ØF mm	ØG mm	H mm	ØI mm	ØL mm	Kg.
IMM 63 A	355	150 T	205	3/4"	128	-	180	190	150	9 N. 4	5,00
	405	200 T									5,15
	455	250 T									5,30
	505	300* T									5,45
IMM 63 B	355	150 T	205	3/4"	128	-	180	190	150	9 N. 4	5,50
	405	200 T									5,70
	455	250 T									5,90
	505	300* T									6,05

On request: T = execution TRI \* = cast iron pump body

**Electrical features**

Type	KW. Input	Hz. 50		Hz. 60			
		230/400	254-290/440-500	230/400	208-230/440-460	254-277/440-480	318-346/550-600
IMM 63 A	0,30	1,0/0,58	0,76/0,44	1,2/0,7	1,1/0,6	1,0/0,58	0,8/0,45
IMM 63 B	0,40	1,6/0,9	1,2/0,7	1,9/1,1	1,73/1,0	1,6/0,9	1,2/0,7





## Type

## IMM 63A

## Type

## IMM 63B

### Components

1	Rod
2	Frame
3	V-Ring Ø 16
4	Rotor
5	Stator
8	Shaft
9	Pump body
12	Impeller
14	Terminal box
15	Terminal block
16	Non-drive end shield
17	Fan
18	Fan cover
19	Bearing
20	Retaining ring
21	Spring ring
22	Bearing
25	Sealing ring
28	Bronze bearing
29	Sealing ring
31	House impeller

### Materials

Steel
Aluminium
NBR
Steel C 40**
Aluminium*
Nylon
Nylon
mm. 40x25 6P
Aluminium
Nylon
Nylon***
6203 ZZ
ø 17
ø 35
6202 ZZ
NBR 17X30X7
19X17X15
NBR 17X25X4
Nylon

### Components

1	Rod
2	Frame
3	V-Ring Ø 16
4	Rotor
5	Stator
8	Shaft
9	Pump body
12	Impeller
14	Terminal box
15	Terminal block
16	Non-drive end shield
17	Fan
18	Fan cover
19	Bearing
20	Retaining ring
21	Spring ring
22	Bearing
25	Sealing ring
28	Bronze bearing
29	Sealing ring
31	House impeller

### Materials

Steel
Aluminium
NBR
Steel C 40**
Aluminium *
Nylon
Nylon
mm. 40x25 6P
Aluminium
Nylon
Nylon***
6203 ZZ
ø 17
ø 35
6202 ZZ
NBR 17X30X7
19X17X15
NBR 17X25X4
Nylon