

ABS lifting station Sanimax

Complete wastewater pumping unit for installation at floor level and fitted with an ABS submersible pump from the Robusta or MF ranges. Suitable for the removal of liquids containing solid particles up to 30 mm from wash-hand basins, domestic washing machines, or showers, from areas below the sewer level in accordance with EN 12050-2.



Features

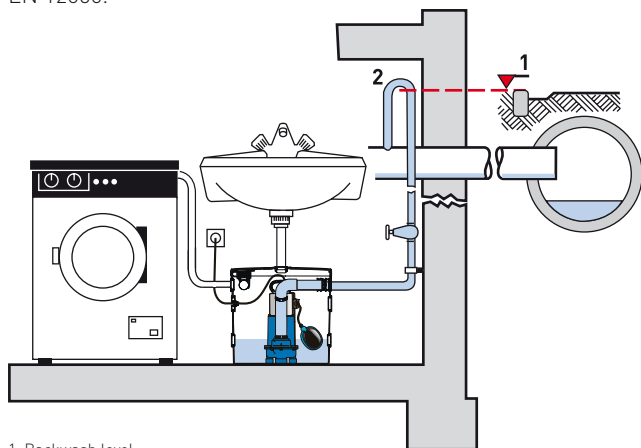
- Ready-for-use, plug-in unit with EURO plug.
- Compact triangular design optimises space beneath a wash-hand basin.
- Can be fitted with ABS Robusta 202 TS or MF 154 & 324 pumps, complete with non-return valve and level control. A separate checkvalve should be used at heads over 5 m.
- Solids handling up to 10 mm for Robusta, 20 mm for MF 154, and 30 mm for MF 324.
- Seven ports [5 x 40 mm, 2 x 50 mm], ready-prepared with seals, which can be used for inflow, discharge, power cable, or flexible hose connection to a washing machine (¾" adaptor supplied).
- Odour-tight lid with odour lock and venting, including charcoal odour filter and overflow protection.
- Alarm float switch available as accessory.
- Sanimax R 202C for aggressive liquids. It is the duty of the user to check the suitability of the materials for the particular application.

Materials

Description	Material
Tank	Polypropylene
Robusta 202 / 202C	
Pump Housing	Polypropylene
Motor Housing	Stainless steel n.a. / 1.4401
Rotor Shaft	Stainless steel 1.4021 / 1.4401
Impeller	Polyamide
Seal	Neoprene
MF 154 & 324	
Upper Lid	Stainless steel 1.4301
Motor Housing	Cast iron EN-GJL-250
Rotor Shaft	Stainless steel 1.4021
Impeller	Polyamide
Volute	Cast iron EN-GJL-250
Seal	Neoprene
Fasteners	Stainless steel 1.4401

Installation

Attention to the backwash level is of vital importance for effective dewatering. All outflow points located below the backwash level must be protected against back flow according to standard EN 12056.



1. Backwash level
2. Backwash loop with base above the backwash level.



Tank

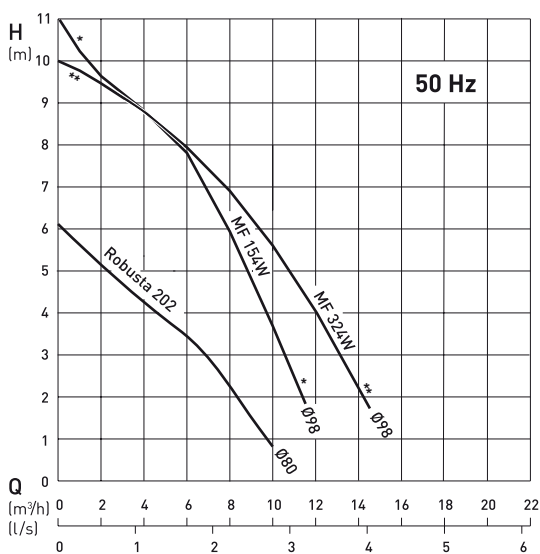
Synthetic, corrosion-resistant, gas- and odour-tight tank, in accordance with EN 12050-2. Supplied as standard with pump, automatic level control and non-return valve. Maximum allowable temperature of medium 40 °C; short term to 60 °C (max. 5 minutes).

Capacity: 28 litres

Motor

Water pressure sealed, squirrel cage 2-pole induction motor, with double shaft seals and oil chamber (MF version). Electronic monitoring of stator temperature and overcurrent. Insulation: Class F to 155 °C

Performance Curves



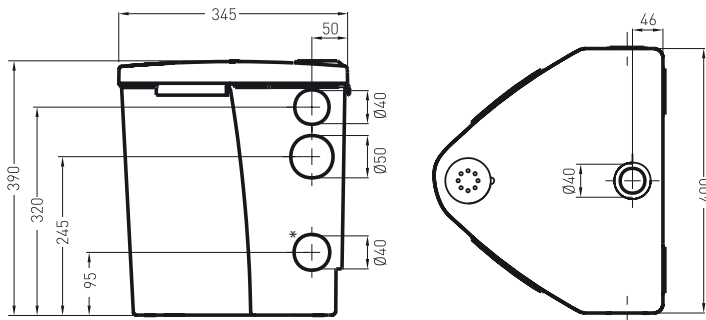
H = Total Head; Q = Discharge Volume
Curves to ISO 9906 (60 Hz available on request).

Technical Data

Sanimax	R 202	R 202C	MF 154	MF 324
Motor power * (kW)	P ₁ = 0.49 P ₂ = 0.16	P ₁ = 0.30 P ₂ = 0.16	P ₁ = 0.65 P ₂ = 0.42	P ₁ = 0.83 P ₂ = 0.54
Speed (r/min)	2900	2900	2900	2900
Rated voltage (V)	220-240 1~	220-240 1~	220-240 1~	220-240 1~
Rated current (A)	2.11	1.36	2.83	3.61
Cable** length (m)	3	3	3	3
Weight (kg)	5.3	6.3	11	11

*P₁ = Power taken from main P₂ = Power at motor shaft ** Cable type H07RN-F

Dimensions (mm)






Switching and Volume Levels

	Robusta	MF
ON (mm)	100	210
OFF (mm)	50	120
Pumped volume (L)	3.0	6.0
Residual volume (L)	3.5	3.5

* For Sanimax MF we recommend that the lower ports should not be used because the switch-on level is higher than the inflow level.

Accessories

Description	Part no.
Plug-in Alarm Kit NSM05 - for connection to 230 V (Euro) socket Wall-mount Alarm Kit NSM05 - with cable for connection to other socket types ABS alarm and signalling units. Alarm featuring test button, alarm cancel button, alarm LED, connection for alarm signal, acoustic alarm signal, voltage-free NO (Normally Opened) contact (I max 2 A / V max 25 V) for connection to remote alarm. Rechargeable accumulators for mains-independent alarm signal and alarm contact signal unit NSM05.	 62450038 62455012
Plug-in Alarm (as above without NSM05) Wall-mount Alarm (as above without NSM05)	16020201 16020203
Washing machine-stop Alarm Kit WMST NSM05 ABS washing machine-stop alarm and signalling units. Alarm for plugging in to a 230 V DIN socket, with integral 230 V earthed DIN socket into which the washing machine is plugged (I max 16 A). On/Off switch, green LED light for operation, acoustic alarm, connection for alarm signal unit such as NSM05. If the water level in the tank reaches too high a level, the washing machine is switched off. As the water level falls, the power is restored automatically.	 62450039
NSM05 Alarm Signalling Unit (Broken-finger) with 5 m cable	 62665147
Non-return Valves cast iron ball valve with internal thread connection	G 1¼" G 1½"
synthetic flap valve with internal thread connection	G 1¼" G 1½"