

# Showermate eco Pumps

Showermate pumps are the ideal solution to boost the performance of single shower applications to provide an invigorating showering experience.

Designed for domestic use only, Showermate eco pumps will function under positive head conditions and are suitable for installation into open vented hot and cold water systems.

Standard pumps require a flow of just 0.8 l/min to start.

## Applications

### Twin

- Boost hot and cold water supplies equally.
- Single function shower.
- Multi-function shower.
- Bath/basin mixer tap.

### Single

- Boost the water pressure to either a hot or cold single tap.
- Boost the blended water between the shower valve and the shower head.

## Features include:

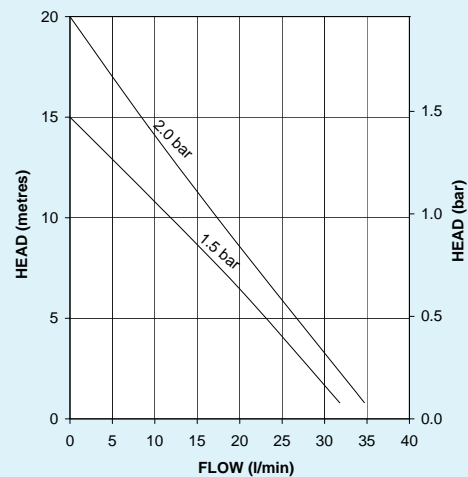
- 15 mm push-in flexible hoses with integral isolating valves on inlets.
- Pre-wired with 1.5 metre cable.
- Anti-vibration feet.
- Reassurance of up to a 2-year guarantee (subject to conditions).



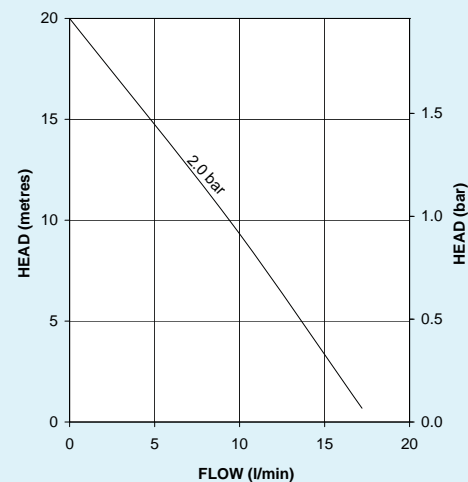
**STUART  
TURNER**



Showermate Eco Twin Pump



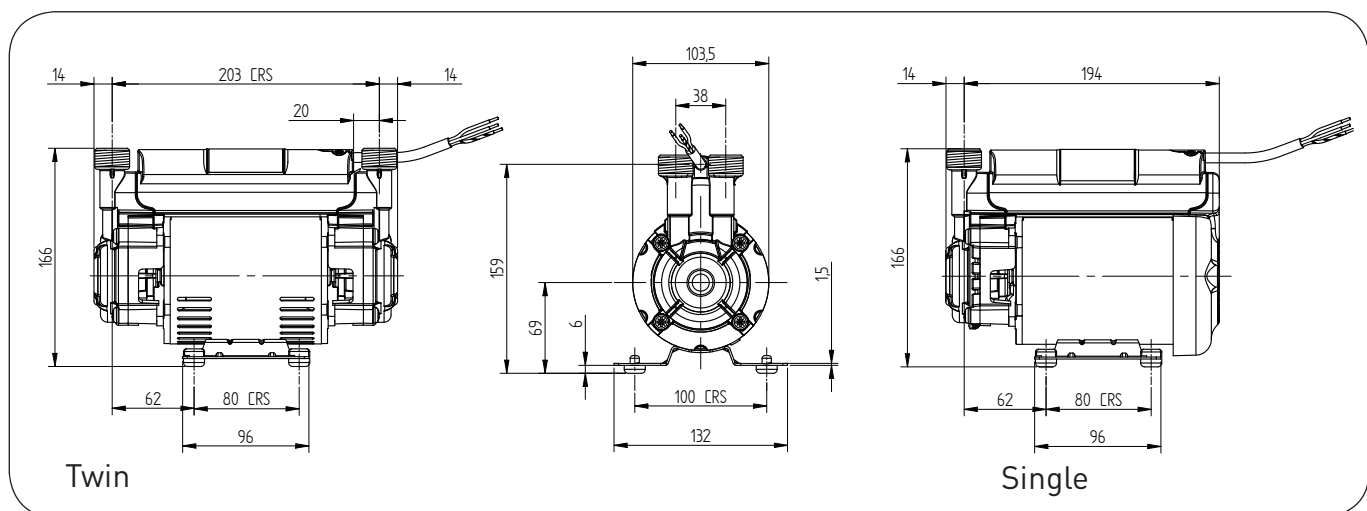
Showermate Eco Single Pump



# Showermate eco Pumps



System Booster Pumps	S1.5 bar Twin 46502	S2.0 bar Twin 46500	S2.0 bar Single 46503
Maximum Flow Litres Per Minute	32	35	17
Maximum Head Valve Closed (bar)	1.5	2.0	2.0
Maximum Inlet Static Head (Metres)	10	10	10
Hoses Flexible 15 mm Push-In	✓	✓	✓
Pump Connection G 3/4"	✓	✓	✓
Carbon Ceramic Mechanical Seal	✓	✓	✓
Flow Switch Sensitivity approx. 0.8 l/min	✓	✓	✓
WRAS Compliant 65°C max	✓	✓	✓
Power Supply 230/1/50	✓	✓	✓
Enclosure Rating BS EN 60529	IP22	IP22	IP22
Motor Type, Induction, Permanent Capacitor, Auto Resetting Protective Thermotrip	✓	✓	✓
Power Consumption (Watts)	385	420	215
Full Load Amps	1.7	1.8	1.0
Fuse Rating Amps	5	5	5
Pre-Wired	✓	✓	✓
Duty Rating Intermittent (S3) 30 mins on/ 30 mins off @ 9 l/min	✓	✓	✓
Length mm	231	231	208
Width mm	132	132	132
Height mm without flexibles	166	166	166
Gross Weight Packed (kg)	4	4	3.2



**STUART  
TURNER**

Stuart Turner Ltd  
Henley-on-Thames  
Oxfordshire RG9 2AD  
England  
Telephone: +44 (0)1491 572655  
Fax: +44 (0)1491 573704

Email:  
pumps@stuart-turner.co.uk  
Web:  
www.stuart-turner.co.uk

V.A.T. REG. No. 199 0987 92.  
Registered in England No. 88368.  
Registered Office:  
Market Place, Henley-on-Thames