

Showermate Universal Pumps

Showermate pumps are the ideal solution to boost the performance of single shower applications to provide an invigorating showering experience.

Designed for domestic use only, Showermate Universal pumps will function under both positive and negative head conditions and are suitable for installation into open vented hot and cold water systems.

Universal pumps do not require a gravity flow of water to start.

Applications

Twin

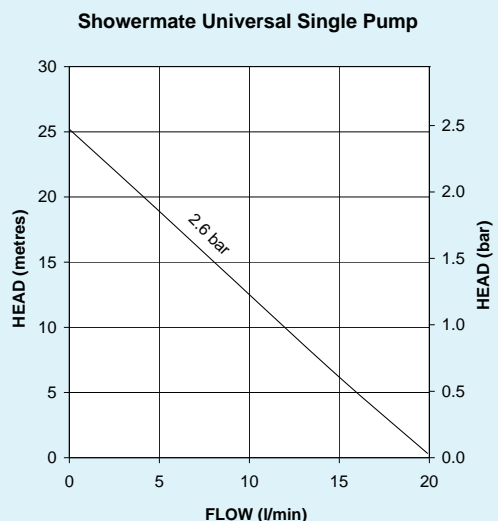
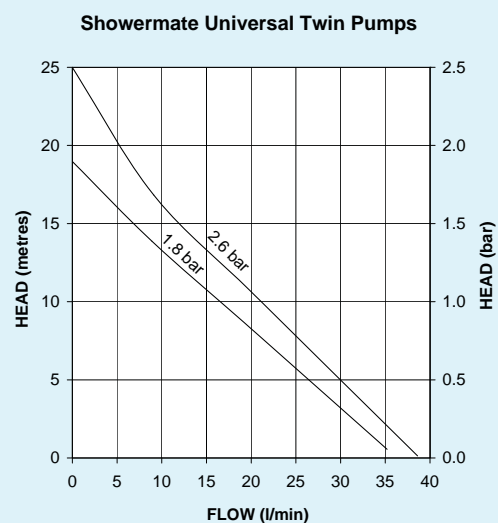
- Boost hot and cold water supplies equally.
- Single function shower.
- Multi-function shower.
- Bath/basin mixer tap.

Single

- Boost the water pressure in either the hot or cold supply.

Features include:

- Fully automatic.
- 15 mm push-in flexible hoses with integral isolating valves on inlets.
- Pre-wired with 1.5 metre cable.
- Anti-vibration feet.
- Reassurance of up to a 2-year guarantee (subject to conditions)

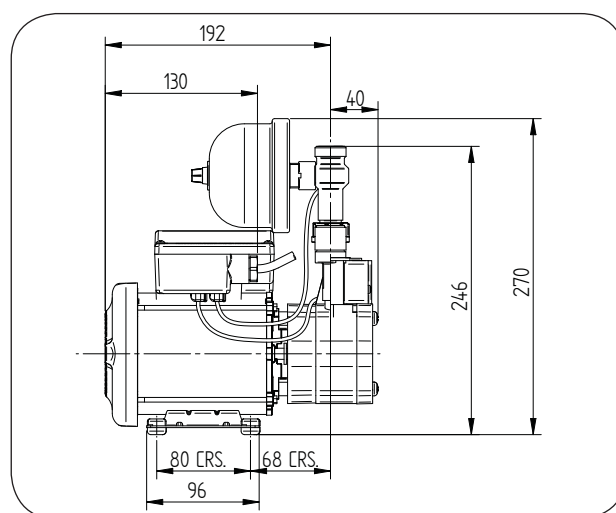
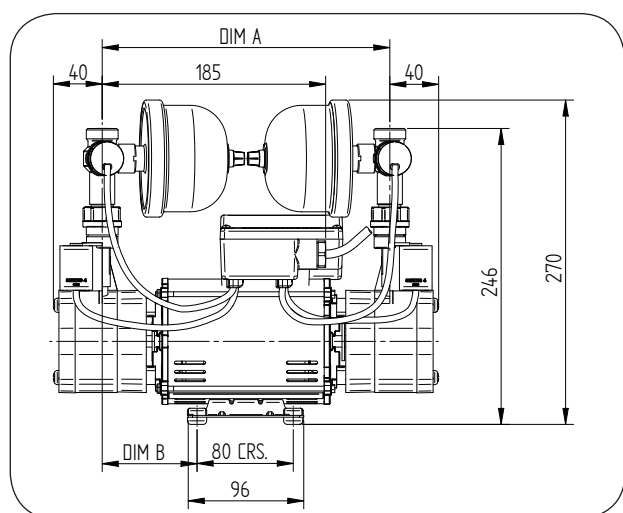


Showermate Universal Pumps



System Booster Pumps		1.8 bar Twin 46532	2.6 bar Twin 46533	2.6 bar Single 46534
Performance (bar) @ 9 l/min		1.5	1.9	1.3
Maximum Flow Litres Per Minute		33	36	17
Maximum Head Valve Closed (bar)		1.8	2.6	2.6
Maximum Inlet Static Head (Metres)		6	6	6
Hoses	Flexible 15 mm Push-In	✓	✓	✓
Pump Connection G 3/4 "		✓	✓	✓
Carbon Ceramic Mechanical Seal		✓	✓	✓
Flow Switch Sensitivity approx. 0.8 l/min		✓	✓	✓
WRAS Compliant 65°C max		✓	✓	✓
PCB	Run On Timer 3 Sec	✓	✓	✓
	Dry Run Protection	✓	✓	✓
Power Supply 230/1/50		✓	✓	✓
Enclosure Rating BS EN 60529		IP22	IP22	IP22
Motor Type, Induction, Permanent Capacitor, Auto Resetting Protective Thermotrip		✓	✓	✓
Power Consumption (Watts)		405	505	245
Full Load Amps		1.8	2.2	1.1
Fuse Rating Amps		5	5	5
Pre-Wired		✓	✓	✓
Duty Rating Intermittent (S3) 30 mins on/ 30 mins off @ 9 l/min		✓	✓	✓
Length mm		304	319	232
Width mm		132	132	132
Height mm without flexibles		270	270	270
Gross Weight Packed (kg)		6.6	7.4	5.3

Pump Description	Dim. 'A'	Dim. 'B'
1.8 bar Twin	224 mm	71.4 mm
2.6 bar Twin	239 mm	78.8 mm



**STUART
TURNER**

Stuart Turner Ltd
Henley-on-Thames
Oxfordshire RG9 2AD
England
Telephone: +44 (0)1491 572655
Fax: +44 (0)1491 573704

Email:
pumps@stuart-turner.co.uk
Web:
www.stuart-turner.co.uk

V.A.T. REG. No. 199 0987 92.
Registered in England No. 88368.
Registered Office:
Market Place, Henley-on-Thames