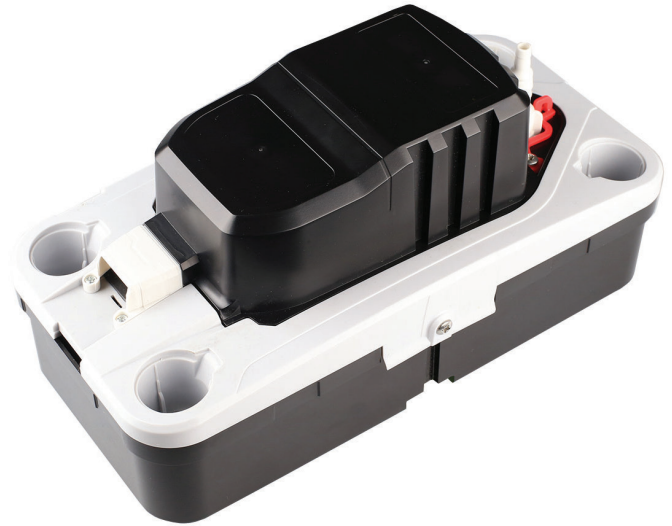


# wasteflo

## BC3 - Boiler Condensate Pump

Designed to quietly and efficiently remove acidic residue water from a condensing boiler where access to an external vent pipe is not possible. The compact Wasteflo Boiler Condensate Pump is supplied with a high capacity 2 litre tank, and is suitable for use with any condensing boiler system.

Compact yet highly efficient, the Wasteflo Boiler Condensate Pump will move up to 288 litres per hour and up to 5 m head. The pump features three 27 mm inlets and one (6 or 10 mm) outlet and is the ideal solution for many domestic and commercial applications.

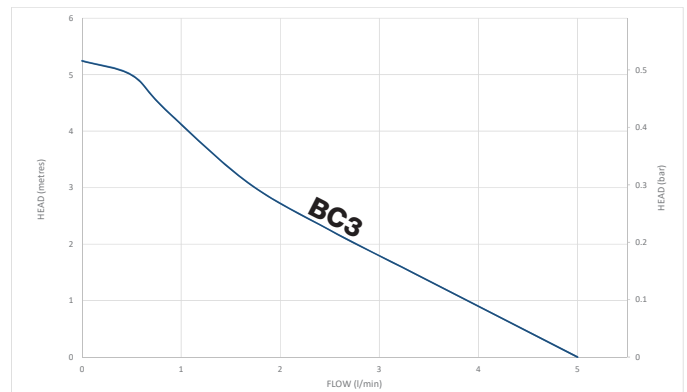


### Features

- 288 litres per hour maximum flow
- Up to 5 m head
- Easy access tank
- 3 inlet ports
- Twist and click non-return outlet barb
- Built-in spirit level
- Wall or floor mounted
- 2 m power cable
- 6 m discharge tube
- High level cut-out switch
- BS EN 60335 compliant

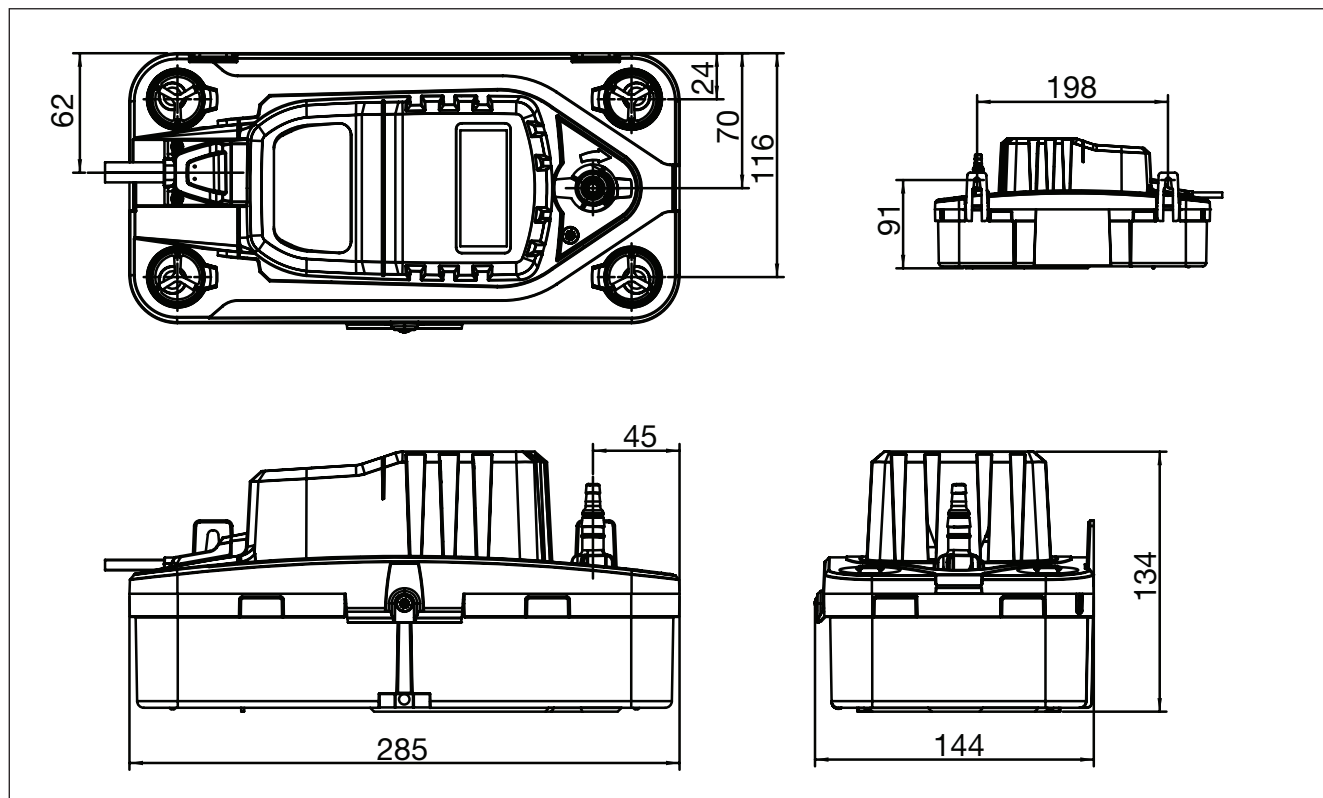
### Application

- Suitable for larger domestic and commercial gas and oil fired condensing boilers
- Up to 200 kW / 0.68 m Btu/h with condensate PH value >2.2+



# wasteflo

Pump Model		BC3 46663
General	Guarantee	2 years
Features	Mounting position	Wall or floor
	Easy access tank	✓
	Twist and click non-return outlet	✓
	Built-in spirit level	✓
	Tank capacity	2 litres
	Safety cut-out	✓
	Thermal protection	✓
Performance	Maximum head	5 metres
	Maximum flow	288 l/hr
	Condensate pH	2.7 and above
	Maximum ambient air temperature	40 °C
	Min / Max water temperature	Min 4 °C / Max 60 °C
Connections	Inlet connections	3 x Dia. 27 mm
	Outlet connections	6 or 10 mm (ID)
Electrical	Power supply / phase / frequency	230 V a.c./1/50 Hz
	Current (full load)	0.8 Amps
	Duty rating	Continuous
	Fuse rating	3 Amp
	Noise (@ 1 m)	55 dB(A)
	Alarm	High level safety switch with 3 A volt-free wires and normally closed contacts
	Power cable (pre-wired)	2.0 metres
Physical	Enclosure protection	IPX0
	Width	285 mm
	Depth	144 mm
	Height (excluding hoses)	134 mm
	Weight (including fittings)	2.5 Kg



Stuart Turner Limited reserves the right to amend specifications without notice.